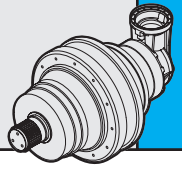


12000

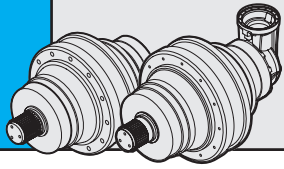
	i	Mc [kNm]				n _{1max} [min ⁻¹]	Pt [kW]	Kg				
		n ₂ x h	n ₂ x h	n ₂ x h	n ₂ x h			M	P	CPC	F	FS
		10.000	20.000	50.000	100.000							
PG 12001	4.09	181.5	163.4	142.3	129.4	750	102	650	-	-	615	642
	5.25	134.2	120.8	105.2	98.6							
	6.23	105.4	94.9	82.7	79.0							
PG 12002	16.36	131.2	116.1	98.8	87.5	1200	60	762	-	-	727	754
	19.25	111.8	98.9	84.2	74.5							
	21.00	134.2	120.8	105.2	98.6							
	24.71	134.2	120.8	103.4	91.5							
	29.32	105.4	94.9	82.7	79.0							
PG 12003	58.17	129.9	114.9	97.8	86.6	2000	45	797	-	-	762	789
	68.43	111.8	98.9	84.2	74.5							
	74.67	134.2	120.8	105.2	98.6							
	90.00	134.2	120.8	103.3	91.4							
	117.60	106.6	94.3	80.2	71.1							
	139.55	105.4	94.9	82.7	79.0							
	164.18	105.4	94.9	82.7	79.0							
	197.89	105.4	94.8	80.6	71.4							
PG 12004	219.75	129.9	114.9	97.8	86.6	2800	33	812	-	-	777	804
	239.95	129.9	114.9	97.8	86.6							
	258.53	111.8	98.9	84.2	74.5							
	282.07	134.2	120.8	105.2	98.6							
	308.00	134.2	120.8	105.2	98.6							
	340.00	134.2	120.8	103.3	91.4							
	385.78	134.2	120.8	103.5	91.7							
	448.00	120.4	106.7	90.7	80.5							
	485.10	106.6	94.3	80.2	71.1							
	540.00	134.2	120.8	103.3	91.4							
	607.60	106.6	94.3	80.2	71.1							
	652.50	109.9	97.2	82.7	73.4							
	705.60	106.6	94.3	80.2	71.1							
	816.31	105.4	94.8	80.6	71.4							
	1190.30	105.4	94.9	82.7	79.0							
PG 12005	781.33	129.9	114.9	97.8	86.6	2800	27	822	-	-	787	814
	853.14	129.9	114.9	97.8	86.6							
	941.78	129.9	114.9	97.8	86.6							
	1002.93	134.2	120.8	105.2	98.6							
	1095.11	134.2	120.8	105.2	98.6							
	1208.89	134.2	120.8	105.2	98.6							
	1371.65	134.2	120.8	103.5	91.7							
	1579.61	126.7	111.9	95.2	84.1							
	1724.80	134.2	120.3	102.4	90.5							
	1904.00	134.2	120.8	103.3	91.4							
	2160.36	134.2	120.8	103.5	91.7							
	2604.00	134.2	120.8	103.3	91.4							
	3024.00	134.2	120.8	103.3	91.4							
	3402.56	106.6	94.3	80.2	71.1							
	4037.70	105.4	94.9	82.7	79.0							
5665.81	105.4	94.9	82.7	79.0								



	i	Mc [kNm]				n _{1max} [min ⁻¹]	Pt [kW]	Kg				
		n ₂ x h	n ₂ x h	n ₂ x h	n ₂ x h			M	P	CPC	F	FS
		10.000	20.000	50.000	100.000							
PGA 12003	50.25	78.6	63.8	48.5	39.4	2000	45	845	-	-	810	837
	59.12	88.0	71.5	54.3	44.2							
	64.50	93.6	76.0	57.8	46.9							
	75.88	104.8	85.2	64.7	52.6							
	90.05	105.4	94.9	73.0	59.3							
	116.29	91.1	78.2	59.3	48.2							
PGA 12004	200.95	68.4	55.6	42.2	34.3	2800	33	870	-	-	835	862
	284.96	87.4	71.0	53.9	43.8							
	368.95	104.7	85.0	64.6	52.5							
	434.05	105.4	94.9	72.4	58.8							
	482.09	105.4	94.9	77.9	63.3							
	567.16	105.4	94.9	82.7	70.9							
	683.63	105.4	94.8	80.6	71.4							
	771.75	74.2	69.2	61.3	54.2							
PGA 12005	893.10	111.8	98.9	84.2	74.5	2'800	25	855	-	-	820	847
	1064.00	134.2	120.8	105.2	98.6							
	1174.55	134.2	120.8	103.3	91.4							
	1282.50	134.2	120.8	103.3	91.4							
	1453.28	111.6	98.8	84.1	74.4							
	1676.89	134.2	120.8	105.2	95.4							
	1865.45	134.2	120.8	103.3	91.4							
	2021.25	134.2	120.8	103.3	91.4							
	2196.65	105.4	94.9	82.7	79.0							
	2439.11	120.4	106.7	90.7	80.5							
	2610.75	105.4	94.9	82.7	79.0							
	2940.00	134.2	120.8	103.3	91.4							
	3146.89	105.4	94.9	82.7	79.0							
	3405.19	105.4	94.9	82.7	79.0							
	3552.50	109.9	97.2	82.7	73.4							
	4114.61	105.4	94.9	82.7	79.0							
	4959.57	105.4	94.9	82.7	79.0							
	5566.69	105.4	94.8	80.6	71.4							

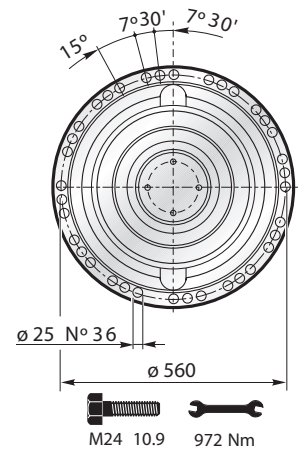
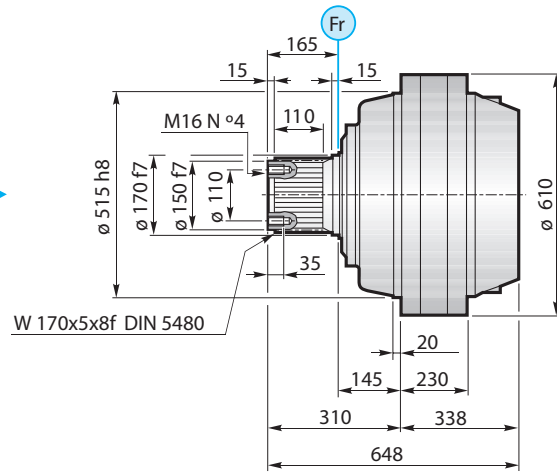
(n₂ x h = 20.000)

$$M_{\max} = M_c \times 1.7$$

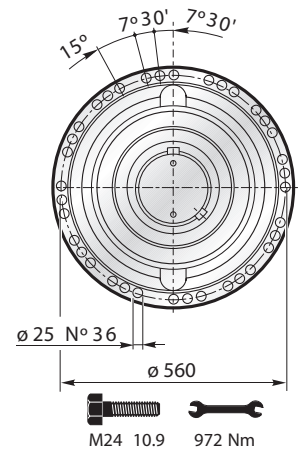
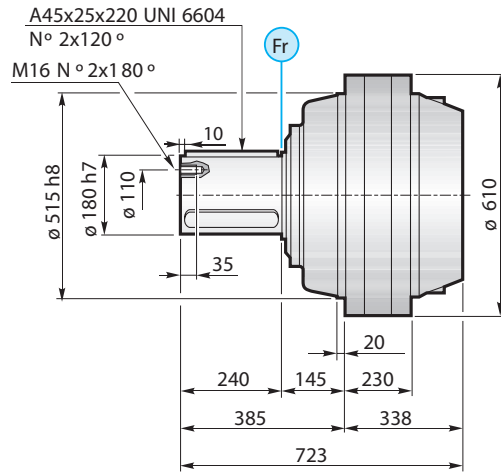


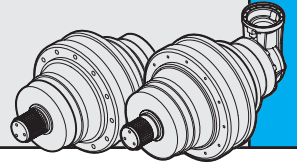
12000

MS

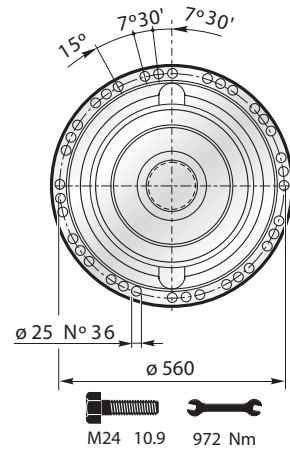
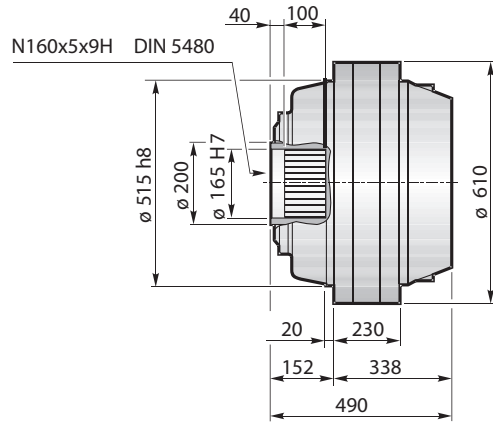


MC

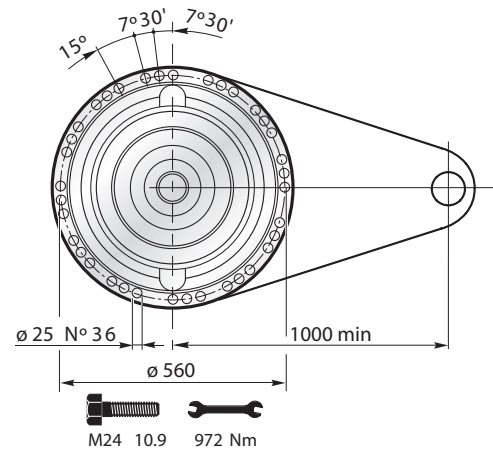
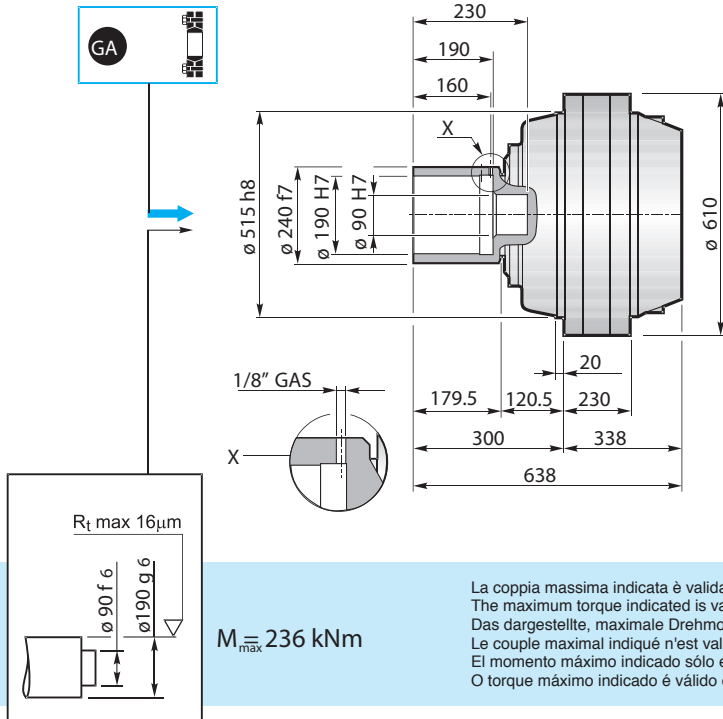




F

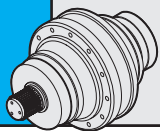


FS



La coppia massima indicata è valida solo con calettatori forniti da Planetary Drives
 The maximum torque indicated is valid only with shrink discs supplied by Planetary Drives
 Das dargestellte, maximale Drehmoment gilt nur mit von Planetary Drives gelieferter Schrumpfscheibe
 Le couple maximal indiqué n'est valable qu'avec les frettes de serrage fournis par Planetary Drives
 El momento máximo indicado sólo es válido con discos de contracción suministrados por Planetary Drives
 O torque máximo indicado é válido exclusivamente com discos de contração fornecidos pela Planetary Drives





12000

		PG ...MS					
		A	B	RA	RB	EF	EDF
PG12002		535	845				
PG12003		622	932		•		
PG12004		693.5	1003.5	•	o	•	
PG12005		754.5	1064.5	•			•

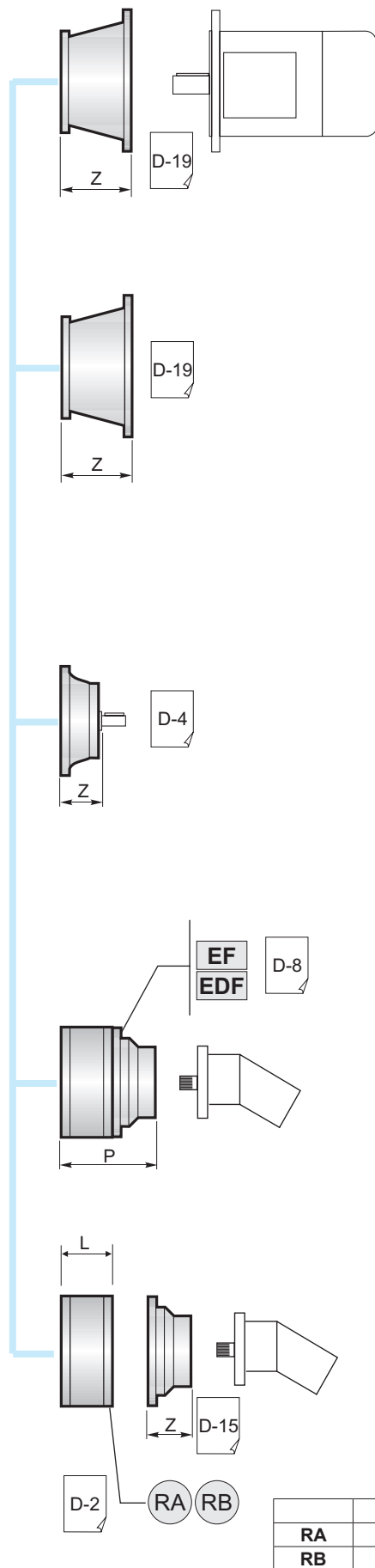
		PG ...MC					
		A	B	RA	RB	EF	EDF
PG12002		535	920				
PG12003		622	1007		•		
PG12004		693.5	1078.5	•	o	•	
PG12005		754.5	1139.5	•			•

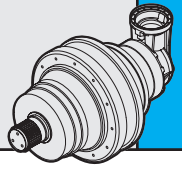
		PG ...F					
		A	B	RA	RB	EF	EDF
PG12002		535	687				
PG12003		622	774		•		
PG12004		693.5	845.5	•	o	•	
PG12005		754.5	906.5	•			•

		PG ...FS					
		A	B	RA	RB	EF	EDF
PG12002		535	835				
PG12003		622	922		•		
PG12004		693.5	993.5	•	o	•	
PG12005		754.5	1054.5	•			•



A	B	•
A+13.5	B+13.5	o





PGA ...MS						
	A	B	RA	RB	EF	EDF
PGA12003	600	315		•		
PGA12004	757	315		•		
PGA12005	795	240	•	o	•	

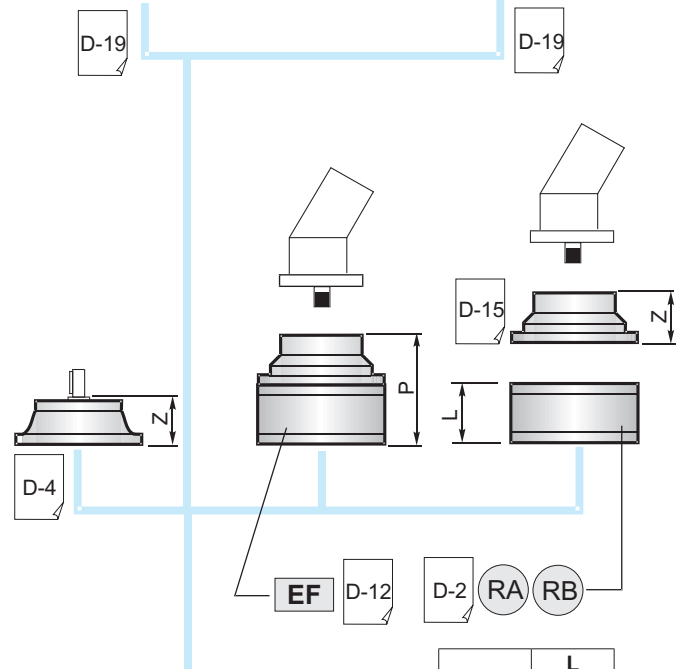
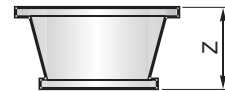
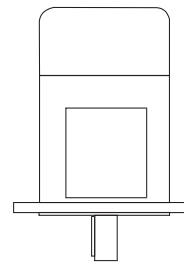
PGA ...MC						
	A	B	RA	RB	EF	EDF
PGA12003	600	315		•		
PGA12004	757	315		•		
PGA12005	795	240	•	o	•	

PGA ...F						
	A	B	RA	RB	EF	EDF
PGA12003	600	315		•		
PGA12004	757	315		•		
PGA12005	795	240	•	o	•	

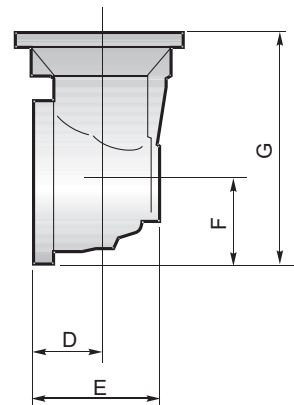
PGA ...FS						
	A	B	RA	RB	EF	EDF
PGA12003	600	315		•		
PGA12004	757	315		•		
PGA12005	795	240	•	o	•	



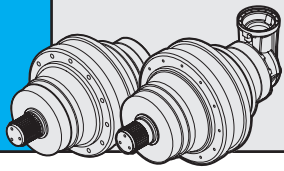
B	•
B+13.5	o



RA	L
RB	81
	125



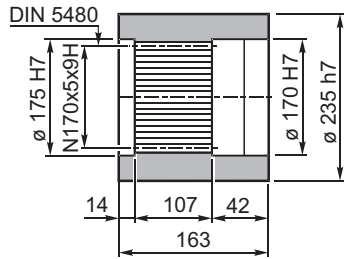
	D	E	F	G
PGA12003	88	256	235	550
PGA12004	88	256	235	550
PGA12005	88	164	140	380



12000

BS

Boccola scanalata / Splined bushing
 Innenverzahnte Buchse / Moyeu cannelé
 Casquillo ranurado / Bucha estriada

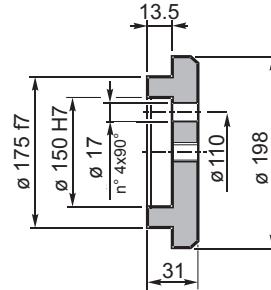


Materiale / Material
 Material / Matière
 Material / Material
 UNI C40
 SAE 1040
 DIN Ck40

Codice / Code
 Bestell - Nr. / Code
 Código / Código

FF

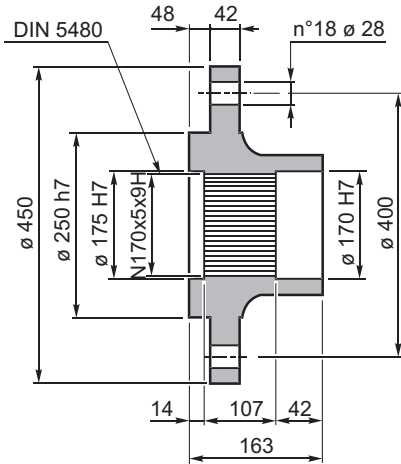
Fondello di arresto / Stop bottom plate
 Endscheibe / Bouchon de fermeture
 Tapón de detención / Fundo de batente



Codice / Code
 Bestell - Nr. / Code
 Código / Código

FL

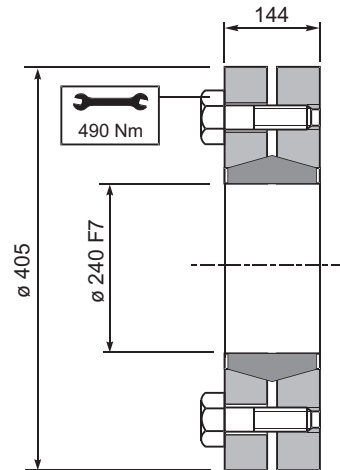
Flangia / Flange
 Flansch / Bride
 Brida / Flange



Codice / Code
 Bestell - Nr. / Code
 Código / Código

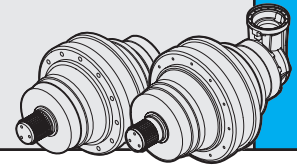
GA

Giunto di attrito / Shrink disc
 Schrumpfscheibe / Frette de serrage
 Disco de contracción / Disco de contração



Coppia max.
 Max. torque
 Max. Drehmoment
 Couple max.
 Momento máx.
 Torque máx.
 236 kNm

Codice / Code
 Bestell - Nr. / Code
 Código / Código



CARICHI RADIALI (Fr)

Nei diagrammi seguenti sono riportati i carichi radiali e i coefficienti K per rapportarli al valore $n_2 \times h$ desiderato.

RADIAL LOADS (Fr)

The following curves show the radial loads and the K factors to obtain the required $n_2 \times h$ value.

RADIALLAST (Fr)

In den nachstehenden Diagrammen ist die Radiallast und der Koeffizient K dargestellt und kann mit dem gewünschten Wert $n_2 \times h$ verglichen werden.

CHARGES RADIALES (Fr)

Dans les diagrammes suivants sont indiqués les charges radiales et les facteurs K de façon à obtenir la valeur $n_2 \times h$ désirée.

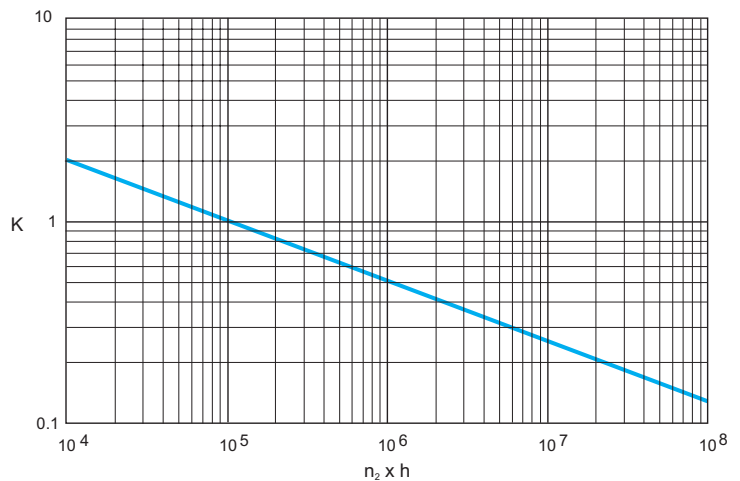
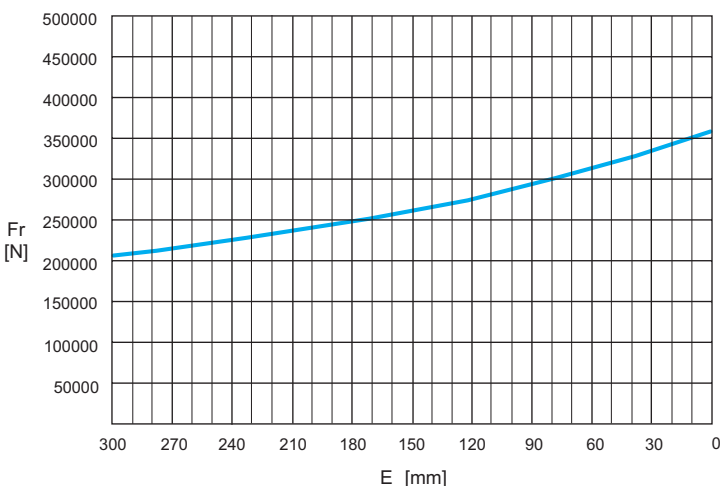
CARGAS RADIALES (Fr)

En los siguientes diagramas se indican las cargas radiales y los coeficientes K para obtener el valor requerido $n_2 \times h$.

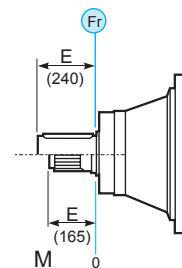
CARGAS RADIAIS (Fr)

Nos diagramas seguintes são indicadas as cargas radiais e os coeficientes K para obter o valor $n_2 \times h$ desejado.

M



	$n_2 \times h$				
	10^5	10^4	10^6	10^7	10^8
M	Fr		Fr · K		



CARICHI ASSIALI (Fa)

I valori dei carichi assiali indicati in tabella sono riferiti alle versioni e alla direzione di applicazione del carico.

AXIAL LOADS (Fa)

The values of the axial loads in the table refer to the output versions and load direction of application.

AXIALLAST (Fa)

Die dargestellten Werte der Axiallast basieren auf der Version und der applizierten Lastrichtung.

CHARGES AXIALES (Fa)

Les valeurs des charges axiales indiquées dans le tableau se réfèrent aux versions et à la direction d'application de la charge.

CARGAS AXIALES (Fa)

Los valores de las cargas axiales indicados en la tabla se refieren a las versiones y a la dirección de aplicación de la carga.

CARGAS AXIAIS (Fa)

Os valores das cargas axiais indicadas na tabela referem-se às versões e à direção de aplicação da carga.

Fa [N]	M	
		75000
	65250	→

