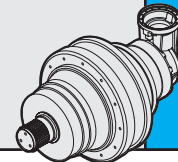


61000

	i	Mc [kNm]				n _{1max} [min ⁻¹]	Pt [kW]	Kg				
		n ₂ x h	n ₂ x h	n ₂ x h	n ₂ x h			M	P	CPC	F	FS
		10.000	20.000	50.000	100.000							
PG 61001	3.84	953.0	858.1	747.1	692.6	100	324	-	-	-	3200	3257
PG 61002	14.13	715.0	609.9	463.3	376.3	200	185	-	-	-	3710	3767
	18.97	514.7	463.5	403.5	363.4							
PG 61003	54.07	653.2	578.1	463.3	376.3	1200	129	-	-	-	3982	4039
	72.58	514.7	463.5	403.5	363.4							
PG 61004	216.27	653.2	578.1	463.3	376.3	2000	98	-	-	-	4041	4098
	281.15	653.2	578.1	463.3	376.3							
	290.32	514.7	463.5	403.5	363.4							
	337.92	506.8	448.6	381.8	337.8							
	377.41	514.7	463.5	403.5	363.4							
	453.62	514.7	463.5	403.5	363.4							
PG 61005	792.99	590.0	522.3	444.1	376.3	2800	81	-	-	-	4062	4119
	957.76	538.6	476.9	405.5	359.3							
	1030.88	653.2	578.1	463.3	376.3							
	1245.09	653.2	578.1	463.3	376.3							
	1405.75	587.4	520.0	442.4	376.3							
	1663.28	514.7	463.5	403.5	363.4							
	1887.06	514.7	463.5	403.5	363.4							
	1959.94	506.8	448.6	381.8	337.8							
	2631.00	514.7	463.5	403.5	363.4							
	3175.35	514.7	463.5	403.5	363.4							

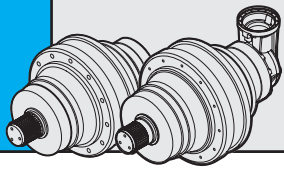
61000



	i	Mc [kNm]				n _{1max} [min ⁻¹]	Pt [kW]	Kg				
		n ₂ x h	n ₂ x h	n ₂ x h	n ₂ x h			M	P	CPC	F	FS
		10.000	20.000	50.000	100.000							
PGA 61005	863.53	541.2	439.7	334.1	271.5	2500	75	-	-	-	4163	4220
	1037.90	506.8	448.6	380.0	308.8							
	1159.20	514.7	463.5	403.5	333.6							
	1312.03	493.9	401.0	304.5	247.2							
	1393.26	514.7	463.5	403.5	363.4							
	1576.96	506.8	448.6	346.3	281.1							
	1761.26	514.7	463.5	374.1	303.8							
	2116.90	514.7	463.5	403.5	345.5							

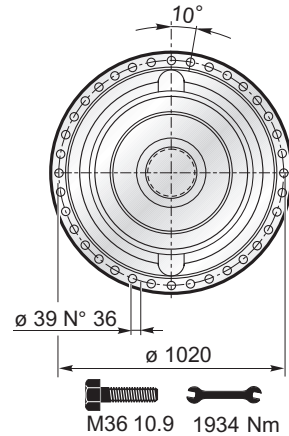
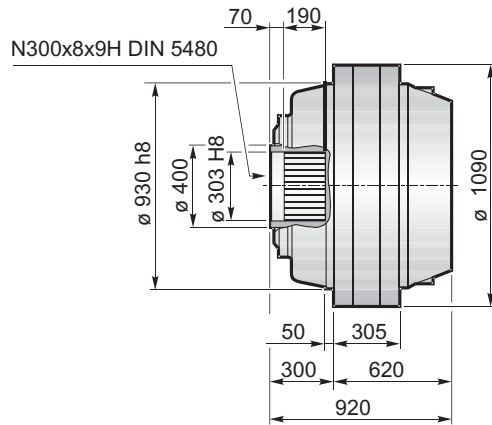
(n₂ x h = 20.000)

$$M_{\max} = M_c \times 1.5$$

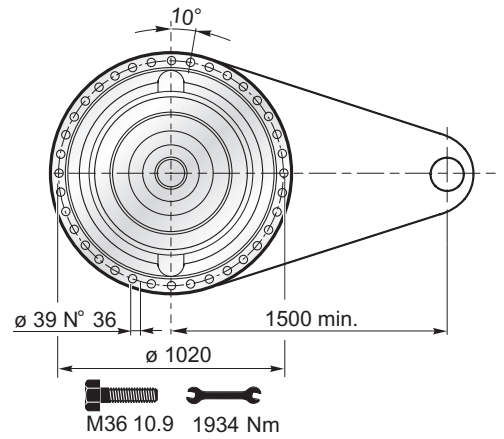
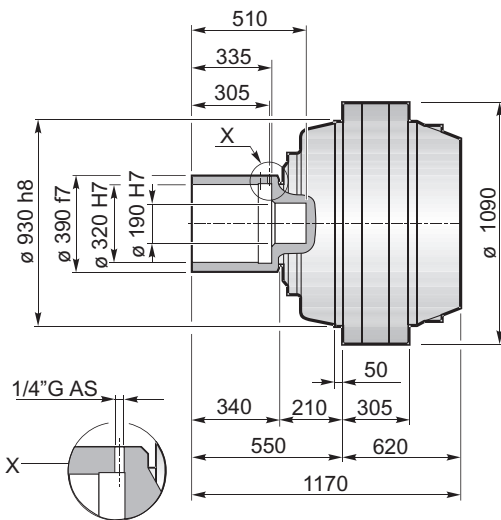


61000

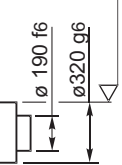
F



FS



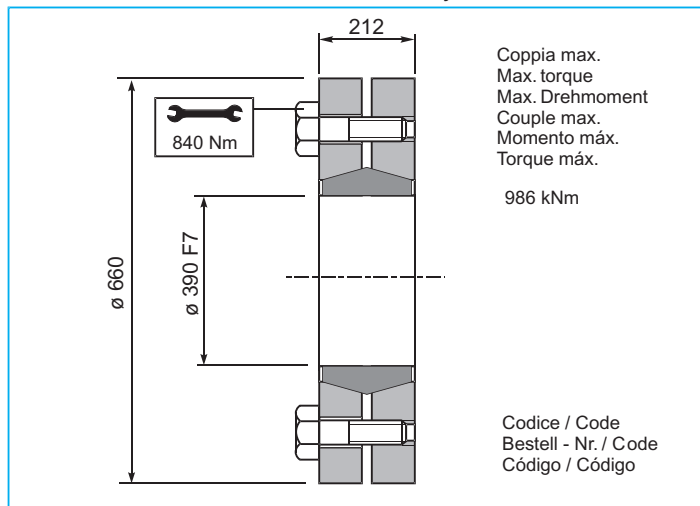
R_t max 16µm

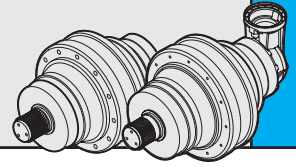


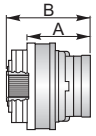
M_{max} 986 kNm

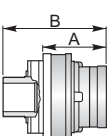
La coppia massima indicata è valida solo con calettatori forniti da Planetary Drives
 The maximum torque indicated is valid only with shrink discs supplied by Planetary Drives
 Das dargestellte, maximale Drehmoment gilt nur mit von Planetary Drives gelieferter Schrumpfscheibe
 Le couple maximal indiqué n'est valable qu'avec les frettes de serrage fournis par Planetary Drives
 El momento máximo indicado sólo es válido con discos de contracción suministrados por Planetary Drives
 O torque máximo indicado é válido exclusivamente com discos de contração fornecidos pela Planetary Drives

GA Giunto di attrito / Shrink disc
 Schrupfscheibe / Frette de serrage
 Disco de contração / Disco de contração



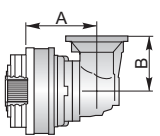


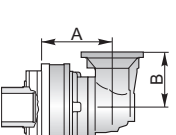
	PG ...F						
	A	B	RA	RB	EF	EDF	
PG61001	620	920					
PG61002	903.5	1203.5					
PG61003	1124.5	1424.5					
PG61004	1231.5	1531.5		•			
PG61005	1303	1603	•	o	•		

	PG ...FS						
	A	B	RA	RB	EF	EDF	
PG61001	620	1170					
PG61002	903.5	1453.5					
PG61003	1124.5	1674.5					
PG61004	1231.5	1781.5		•			
PG61005	1303	1853	•	o	•		



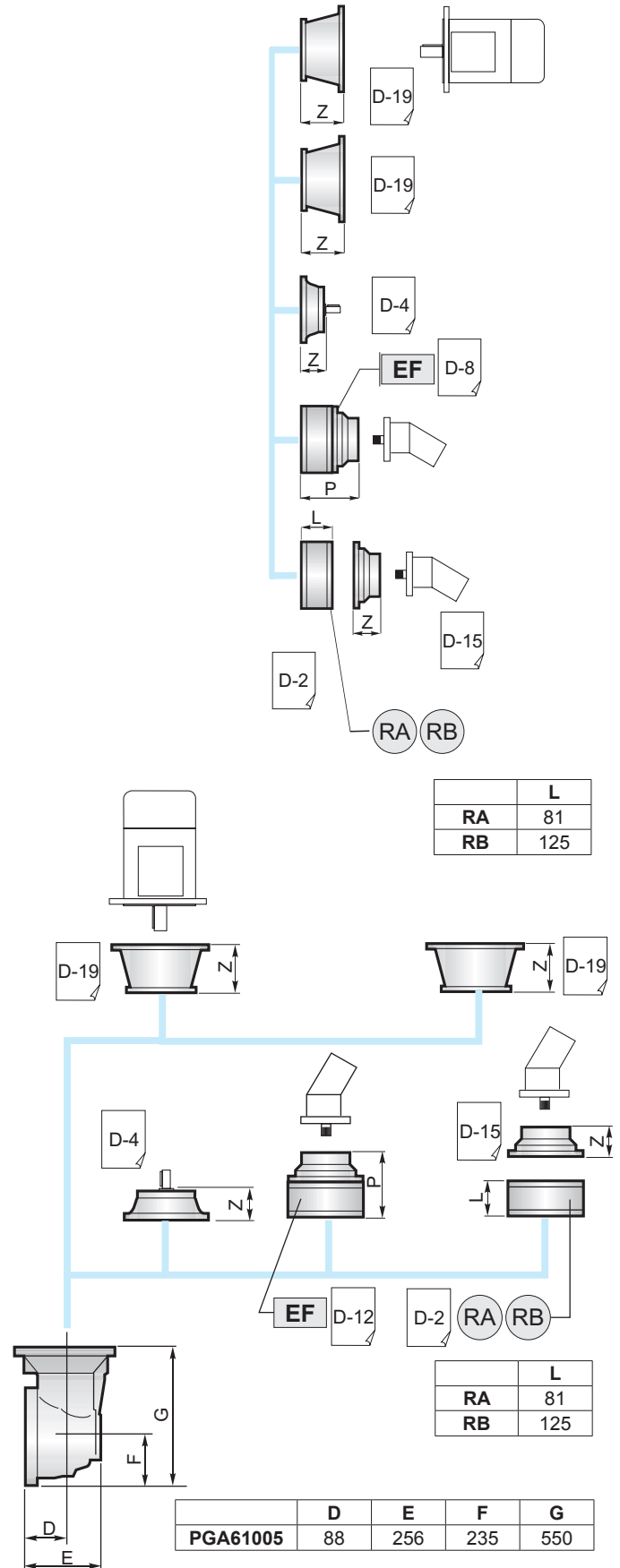
A	B	•
A+13.5	B+13.5	o

	PGA ...F					
	A	B	RA	RB	EF	
PGA61005	1366.5	315	•	o	•	

	PGA ...FS					
	A	B	RA	RB	EF	
PGA61005	1366.5	315	•	o	•	



B	•
B+16.5	o



L	
RA	81
RB	125

L	
RA	81
RB	125

	D	E	F	G
PGA61005	88	256	235	550