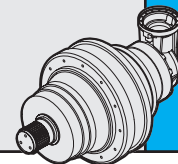


# 9000

	i	Mc [kNm]				n <sub>1max</sub> [min <sup>-1</sup> ]	Pt [kW]	Kg				
		n <sub>2</sub> x h	n <sub>2</sub> x h	n <sub>2</sub> x h	n <sub>2</sub> x h			M	P	CPC	F	FS
		10.000	20.000	50.000	100.000							
<b>PG 9001</b>	4.04	111.85	99.00	84.25	74.57	750	80	519	-	691	423	445
	5.12	89.26	79.00	67.23	59.50							
<b>PG 9002</b>	16.17	106.58	94.34	80.30	71.06	1500	65	635	.	807	539	561
	20.47	89.26	79.00	67.23	59.50							
	21.03	82.41	72.93	62.08	54.93							
	26.61	89.26	79.00	67.23	59.50							
	31.99	77.20	68.34	58.17	51.47							
<b>PG 9003</b>	59.30	73.98	65.49	55.69	49.35	2500	45	662	-	834	566	588
	75.06	89.26	79.00	67.23	59.50							
	93.12	82.41	72.93	62.08	54.93							
	97.58	89.26	79.00	67.23	59.50							
	105.13	73.65	65.20	55.47	49.10							
	117.85	89.26	79.00	67.23	59.50							
	133.06	89.26	79.00	67.23	59.50							
	141.65	77.20	68.34	58.17	51.47							
	159.93	77.20	68.34	58.17	51.47							
	185.51	77.20	68.34	58.17	51.47							
<b>PG 9004</b>	224.04	73.98	65.49	55.69	49.35	2800	30	673	-	845	577	599
	244.63	73.98	65.49	55.69	49.35							
	283.56	89.26	79.00	67.23	59.50							
	309.62	89.26	79.00	67.23	59.50							
	351.77	82.41	72.93	62.08	54.93							
	402.50	89.26	79.00	67.23	59.50							
	445.22	89.26	79.00	67.23	59.50							
	468.39	82.01	72.61	61.74	54.71							
	504.15	89.26	79.00	67.23	59.50							
	548.87	89.26	79.00	67.23	59.50							
	585.46	89.26	79.00	67.23	59.50							
	687.47	89.26	79.00	67.23	59.50							
	798.35	89.26	79.00	67.23	59.50							
	854.43	89.26	79.00	67.23	59.50							
	964.68	89.26	79.00	67.23	59.50							
	1113.09	77.20	68.34	58.17	51.47							
1344.98	77.20	68.34	58.17	51.47								
<b>PG 9005</b>	1431.12	89.26	79.00	67.23	59.50	2800	26	679	-	851	583	605
	1579.81	89.26	79.00	67.23	59.50							
	1662.02	89.26	79.00	67.23	59.50							
	1787.26	89.26	79.00	67.23	59.50							
	1908.08	89.26	79.00	67.23	59.50							
	2064.28	89.26	79.00	67.23	59.50							
	2154.29	89.26	79.00	67.23	59.50							
	2493.23	89.26	79.00	67.23	59.50							
	3429.96	89.26	79.00	67.23	59.50							
	4470.78	89.26	79.00	67.23	59.50							
	5402.19	89.26	79.00	67.23	59.50							
	6511.57	89.26	79.00	67.23	59.50							
	7405.04	89.26	79.00	67.23	59.50							
	8360.53	89.26	79.00	67.23	59.50							

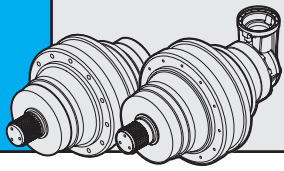


	i	Mc [kNm]				n <sub>1max</sub> [min <sup>-1</sup> ]	Pt [kW]	Kg				
		n <sub>2</sub> x h	n <sub>2</sub> x h	n <sub>2</sub> x h	n <sub>2</sub> x h			M	P	CPC	F	FS
		10.000	20.000	50.000	100.000							
<b>PGA 9003</b>	49.68	77.93	63.32	48.12	39.09	2500	45	699	-	871	603	625
	62.87	89.26	74.67	56.74	46.10							
	81.74	89.26	79.00	67.23	55.40							
	98.12	78.00	69.39	52.68	42.77							
	124.19	89.26	79.00	62.13	50.44							
	149.26	77.20	68.34	58.17	51.47							
<b>PGA 9004</b>	247.44	67.54	59.80	48.86	39.69	2800	30	720	-	892	624	646
	266.33	82.41	67.70	51.44	41.79							
	313.17	82.01	72.61	57.62	46.81							
	337.08	89.26	79.00	60.66	49.28							
	407.13	89.26	79.00	67.23	56.25							
	489.33	77.20	68.34	58.17	51.47							
	724.43	70.28	65.55	59.79	54.65							
	840.34	75.66	66.94	56.95	50.48							
	1010.02	77.20	68.34	58.17	51.47							



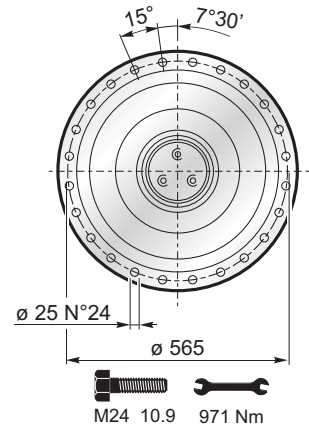
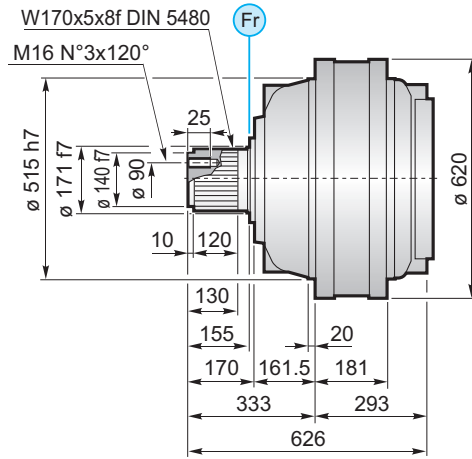
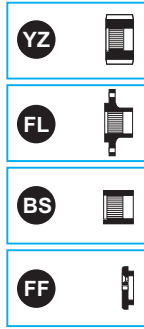
(n<sub>2</sub> x h = 20.000)

$$M_{\max} = M_c \times 2$$

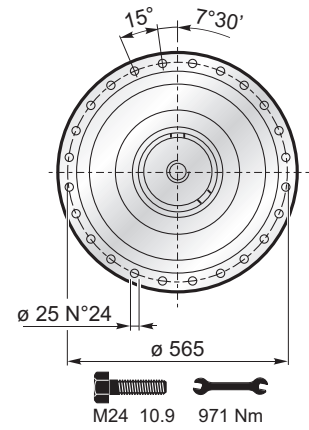
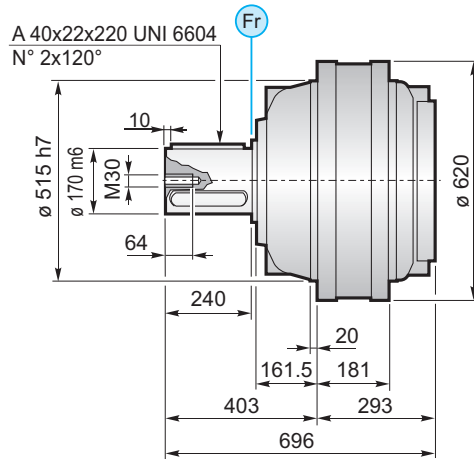


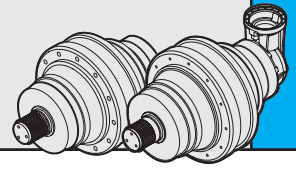
# 9000

## MS

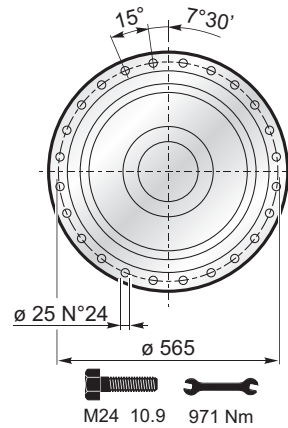
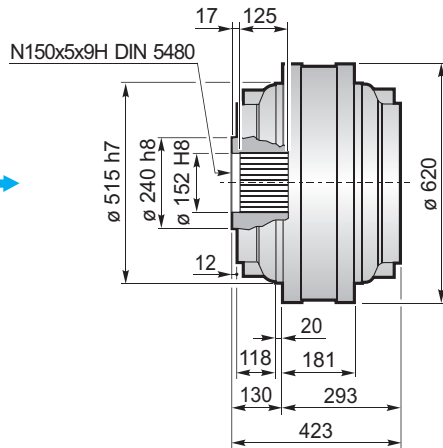
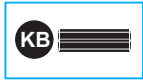


## MC

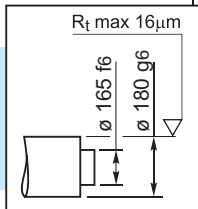
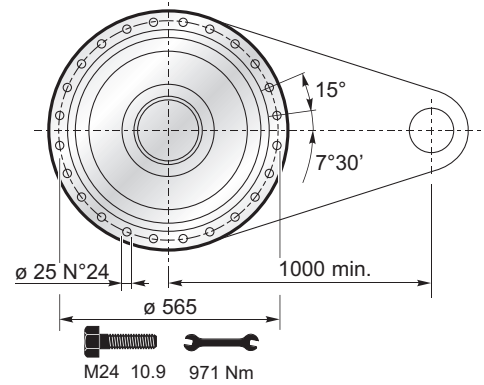
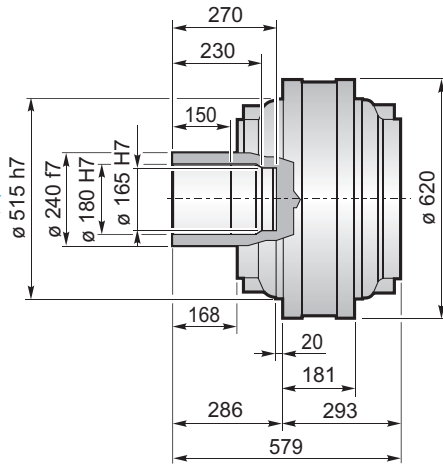




## F



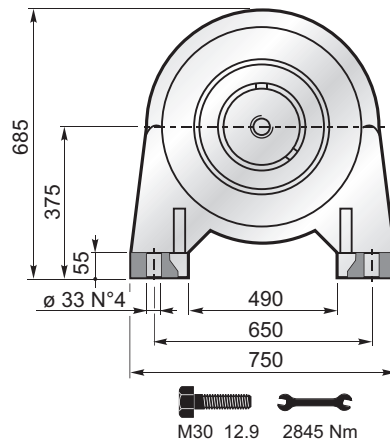
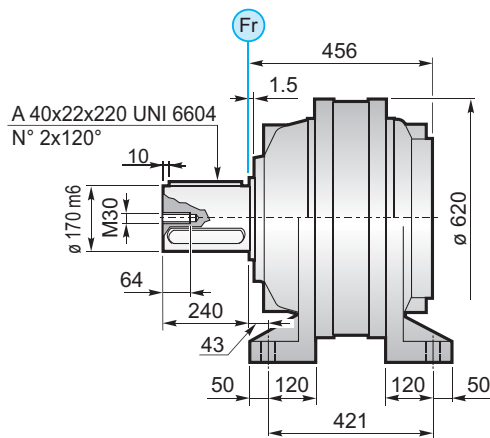
## FS

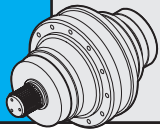


$M_{max} = 176$  kNm

La coppia massima indicata è valida solo con calettatori forniti da Planetary Drives  
 The maximum torque indicated is valid only with shrink discs supplied by Planetary Drives  
 Das dargestellte, maximale Drehmoment gilt nur mit von Planetary Drives gelieferter Schrumpfscheibe  
 Le couple maximal indiqué n'est valable qu'avec les frettes de serrage fournis par Planetary Drives  
 El momento máximo indicado sólo es válido con discos de contracción suministrados por Planetary Drives  
 O torque máximo indicado é válido exclusivamente com discos de contração fornecidos pela Planetary Drives

## CPC





# 9000

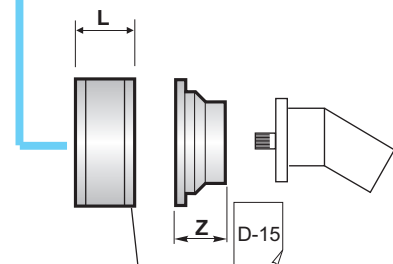
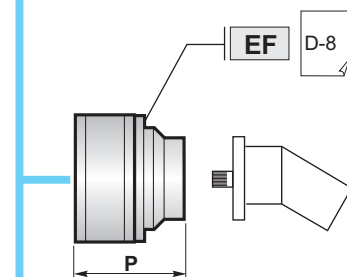
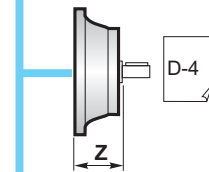
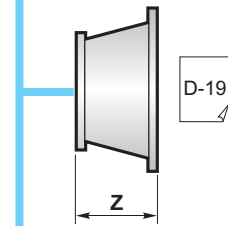
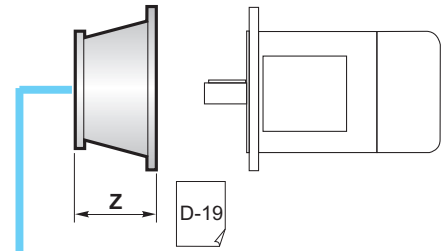
	PG ...MS					
	A	B	RA	RB	EF	EDF
PG 9001	293	626				
PG 9002	475	808				
PG 9003	569	902		•		
PG 9004	628.5	961.5	•	o	•	

	PG ...MC					
	A	B	RA	RB	EF	EDF
PG 9001	293	696				
PG 9002	475	878				
PG 9003	569	972		•		
PG 9004	628.5	1031.5	•	o	•	

	PG ...F					
	A	B	RA	RB	EF	EDF
PG 9001	293	423				
PG 9002	475	605				
PG 9003	569	699		•		
PG 9004	628.5	758.5	•	o	•	

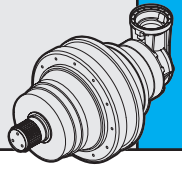
	PG ...FS					
	A	B	RA	RB	EF	EDF
PG 9001	293	579				
PG 9002	475	761				
PG 9003	569	855		•		
PG 9004	628.5	914.5	•	o	•	

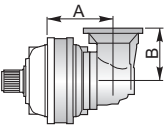
	PG ...CPC					
	A	B	RA	RB	EF	EDF
PG 9001	456	696				
PG 9002	638	878				
PG 9003	732	972		•		
PG 9004	791.5	1031.5	•	o	•	

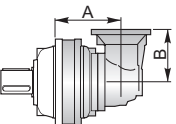


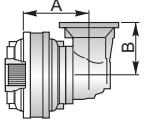
D-2	RA	RB	L
	81	125	

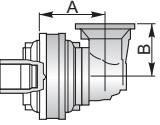
!	A+13.5	B+13.5	o
---	--------	--------	---

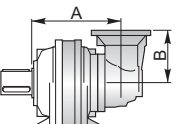


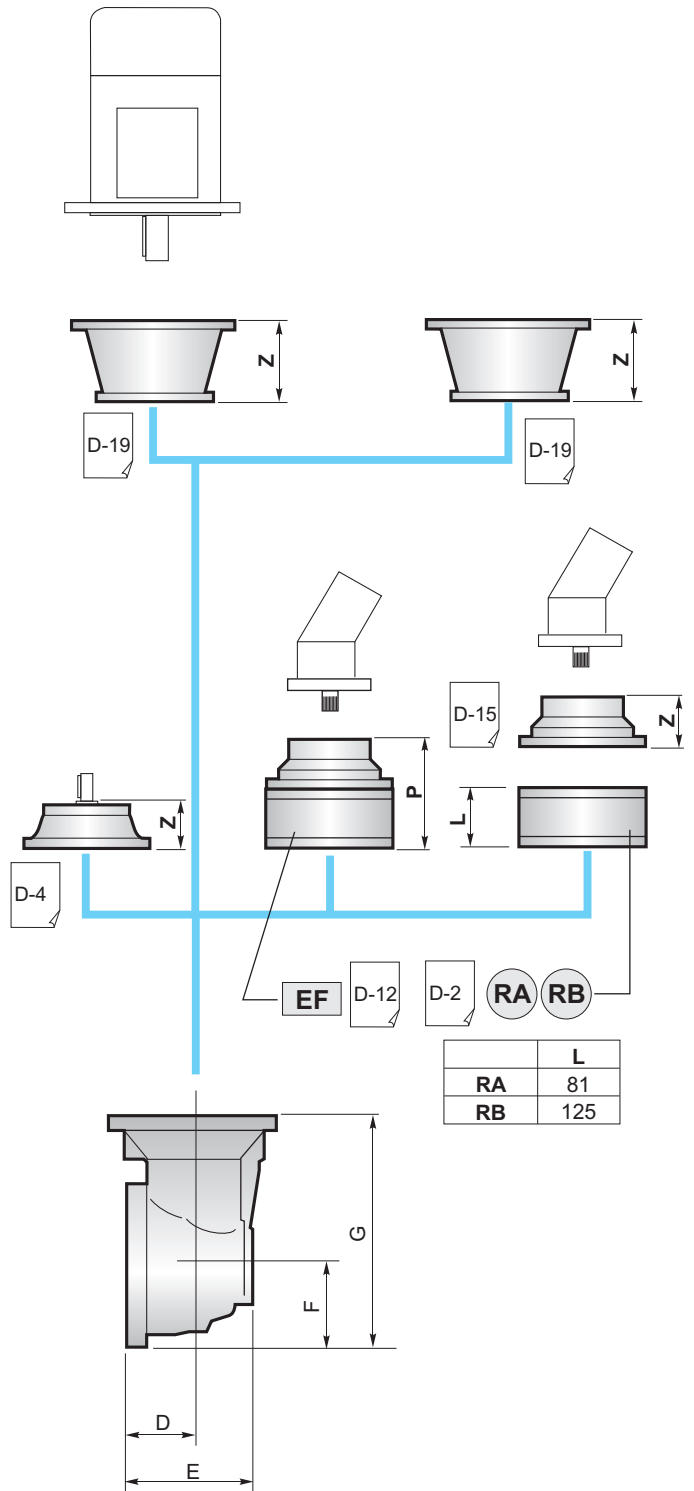
	PGA ...MS					
	A	B	RA	RB	EF	
<b>PGA 9003</b>	555	315		•		
<b>PGA 9004</b>	657	240	•	o	•	

	PGA ...MC					
	A	B	RA	EF		
<b>PGA 9003</b>	555	315		•		
<b>PGA 9004</b>	657	240	•	o	•	

	PGA ...F					
	A	B	RA	RB	EF	
<b>PGA 9003</b>	555	315		•		
<b>PGA 9004</b>	657	240	•	o	•	

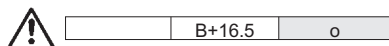
	PGA ...FS					
	A	B	RA	RB	EF	
<b>PGA 9003</b>	555	315		•		
<b>PGA 9004</b>	657	240	•	o	•	

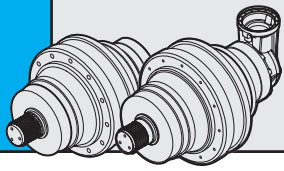
	PGA ...CPC					
	A	B	RA	RB	EF	
<b>PGA 9003</b>	718	315		•		
<b>PGA 9004</b>	820	240	•	o	•	



	L
RA	81
RB	125

	D	E	F	G
<b>PGA 9003</b>	88	256	235	550
<b>PGA 9004</b>	88	164	140	380

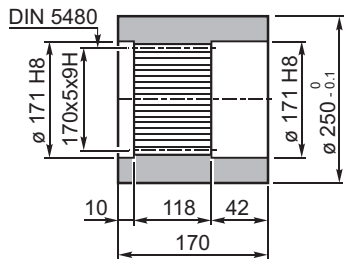




# 9000

**BS**

Boccola scanalata / Splined bushing  
Innenverzahnte Buchse / Moyeu cannelé  
Casquillo ranurado / Bucha estriada



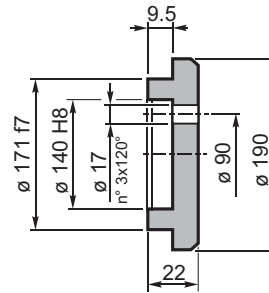
Materiale / Material  
Material / Matière  
Material / Material  
UNI C40  
SAE 1040  
DIN Ck40

Codice / Code  
Bestell - Nr. / Code  
Código / Código

**1721.115.076**

**FF**

Fondello di arresto / Stop bottom plate  
Endscheibe / Bouchon de fermeture  
Tapón de detención / Fundo de batente

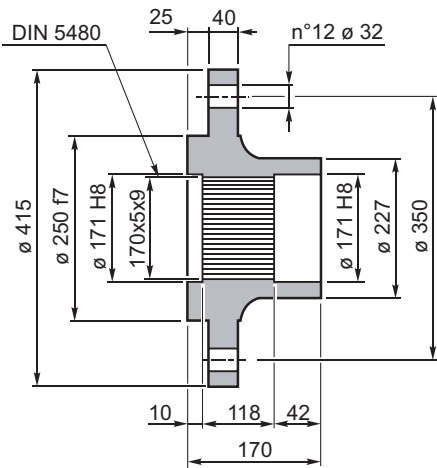


Codice / Code  
Bestell - Nr. / Code  
Código / Código

**5701.044.000**

**FL**

Flangia / Flange  
Flansch / Bride  
Brida / Flange

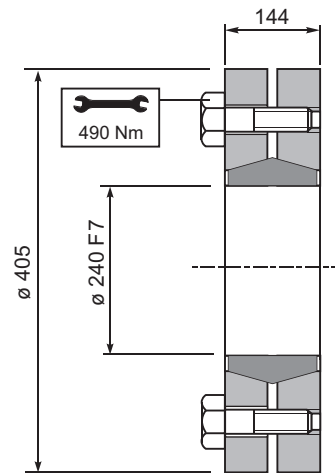


Codice / Code  
Bestell - Nr. / Code  
Código / Código

**1721.133.098**

**GA**

Giunto di attrito / Shrink disc  
Schrumpfscheibe / Frette de serrage  
Disco de contracción / Disco de contração

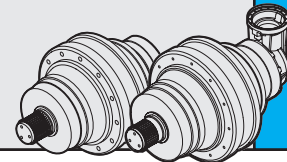


Coppia max.  
Max. torque  
Max. Drehmoment  
Couple max.  
Momento máx.  
Torque máx.

**176 kNm**

Codice / Code  
Bestell - Nr. / Code  
Código / Código

**9015.240.000**



## CARICHI RADIALI (Fr)

Nei diagrammi seguenti sono riportati i carichi radiali e i coefficienti K per rapportarli al valore  $n_2 \times h$  desiderato.

### RADIAL LOADS (Fr)

The following curves show the radial loads and the K factors to obtain the required  $n_2 \times h$  value.

### RADIALLAST (Fr)

In den nachstehenden Diagrammen ist die Radiallast und der Koeffizient K dargestellt und kann mit dem gewünschten Wert  $n_2 \times h$  verglichen werden.

## CHARGES RADIALES (Fr)

Dans les diagrammes suivants sont indiqués les charges radiales et les facteurs K de façon à obtenir la valeur  $n_2 \times h$  désirée.

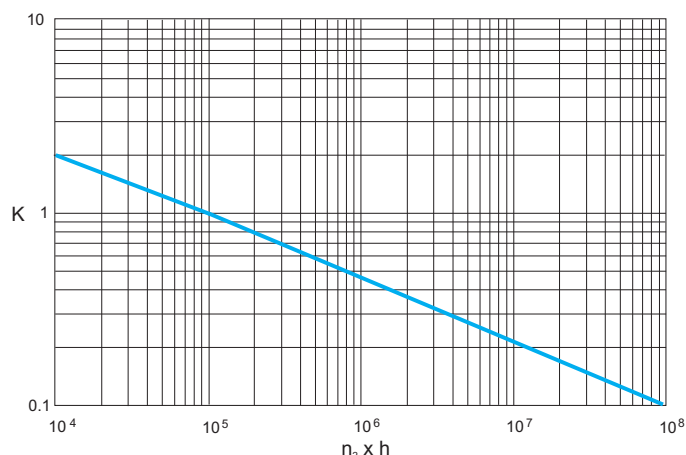
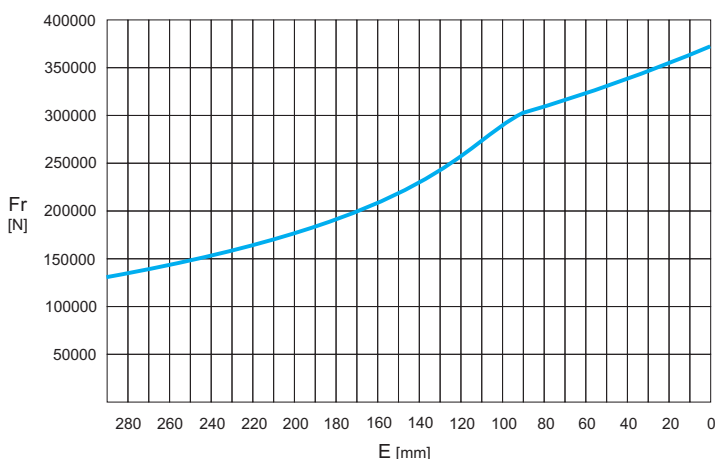
### CARGAS RADIALES (Fr)

En los siguientes diagramas se indican las cargas radiales y los coeficientes K para obtener el valor requerido  $n_2 \times h$ .

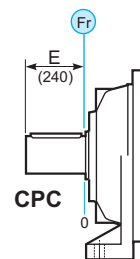
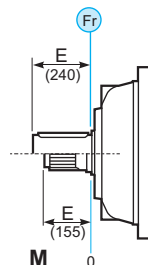
### CARGAS RADIAIS (Fr)

Nos diagramas seguintes são indicadas as cargas radiais e os coeficientes K para obter o valor  $n_2 \times h$  desejado.

### M - CPC\*



	$n \times h$				
	$10^5$	$10^4$	$10^6$	$10^7$	$10^8$
M	Fr		Fr • K		
*CPC	Fr • 0.75		Fr • K • 0.75		



## CARICHI ASSIALI (Fa)

I valori dei carichi assiali indicati in tabella sono riferiti alle versioni e alla direzione di applicazione del carico.

### AXIAL LOADS (Fa)

The values of the axial loads in the table refer to the output versions and load direction of application.

### AXIALLAST (Fa)

Die dargestellten Werte der Axiallast basieren auf der Version und der applizierten Lastrichtung.

## CHARGES AXIALES (Fa)

Les valeurs des charges axiales indiquées dans le tableau se réfèrent aux versions et à la direction d'application de la charge.

### CARGAS AXIALES (Fa)

Los valores de las cargas axiales indicados en la tabla se refieren a las versiones y a la dirección de aplicación de la carga.

### CARGAS AXIAIS (Fa)

Os valores das cargas axiais indicadas na tabela referem-se às versões e à direção de aplicação da carga.

Fa [N]	M	CPC	
	40000	40000	
70000	70000	70000	→

