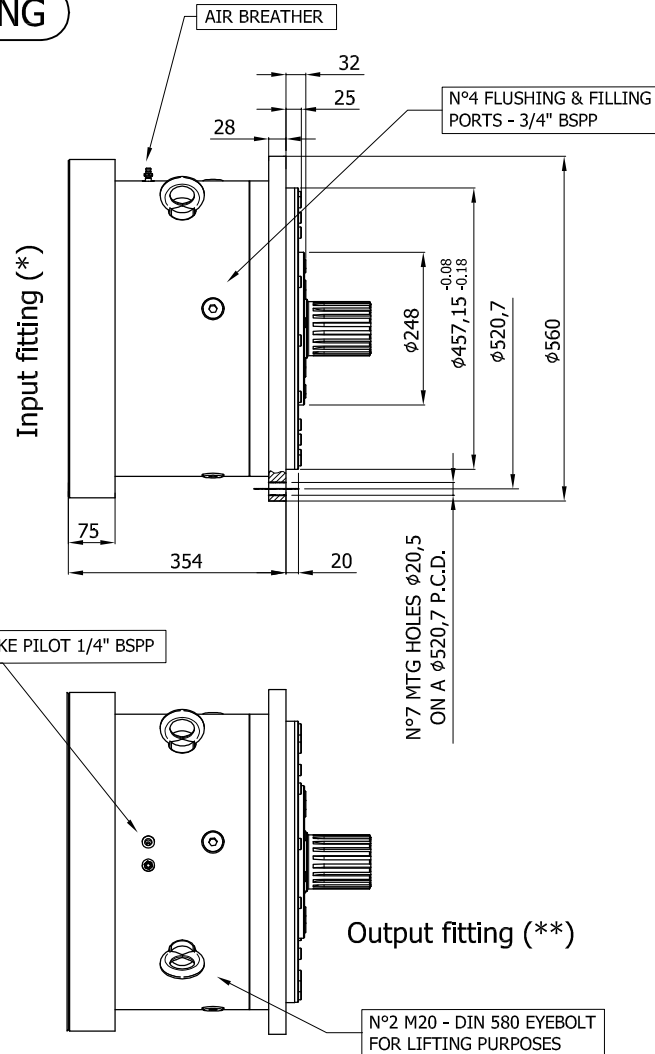


INSTALLATION DRAWING



TECHNICAL DATA

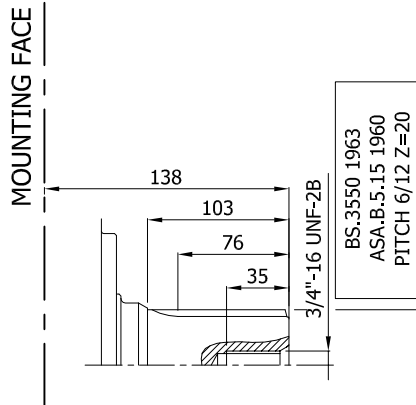
	B4 2000	B4 2500	B4 3000
RATED BRAKING TORQUE [Nm]	20000	25000	30000
RELEASE PRESSURE [bar]	40-45 (***)	40-45 (***)	40-45 (***)
MAX. PRESSURE [bar]	350	350	350
WEIGHT [kg]	400	400	400

(*) See next page for input configuration
 (**) See next page for output shaft options
 (***) The brake starts to release the load at 25-35 bar, the brake is fully opened at 40-45 bar.

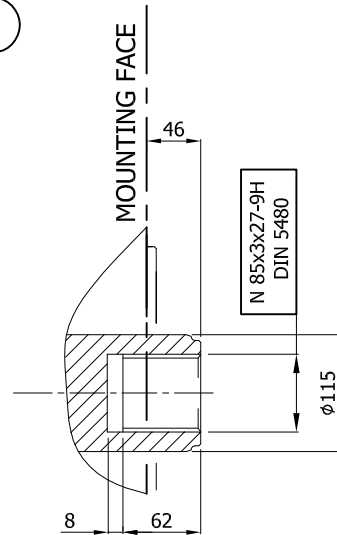
OUTPUT SHAFT CONFIGURATION

PRELIMINARY EDITION

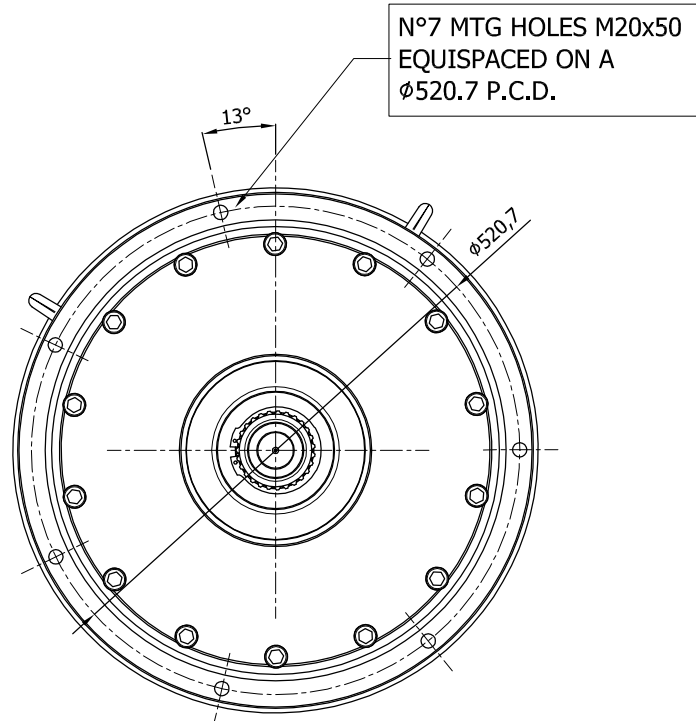
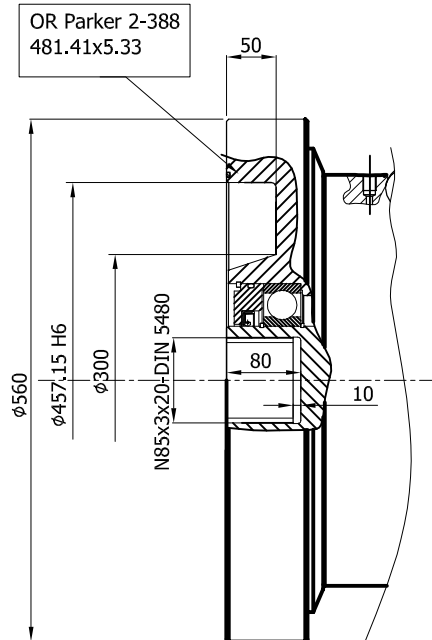
A1



A3

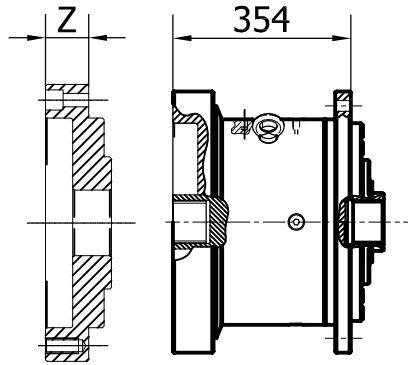


INPUT CONFIGURATION

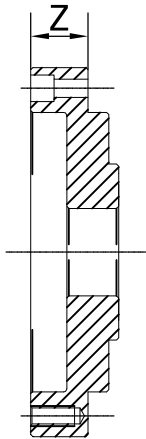


BRAKE CONNECTIONS

MOTOR



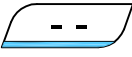


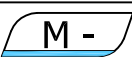

MOTOR ADAPTORS



MOTOR	Z	CODE	ORDERING CODE
IAMD 3600-3900-4300 4600-5000-5400 H7 A3			
IAM 3600-3900-4300 4600-5000-5400 H7 A3	57	206.004.0010	M1
IAC 4600-5400 H7 A3			

ORDERING CODE

PRELIMINARY EDITION

	Brake model
	Torque
	Output shaft (*)
	Motor adaptor (optional)
	Special features (Italgroup internal code)

(*) if gearbox adaptor is selected, brake is assembled with A3 female shaft

Example: B4 2000 A1
 B4 3000 A3
 B4 2500 A3 M1