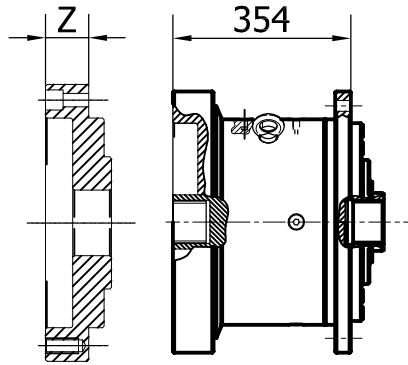
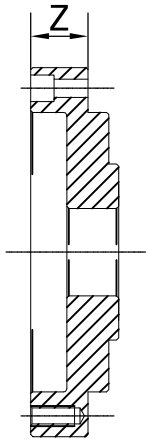


BRAKE CONNECTIONS

MOTOR

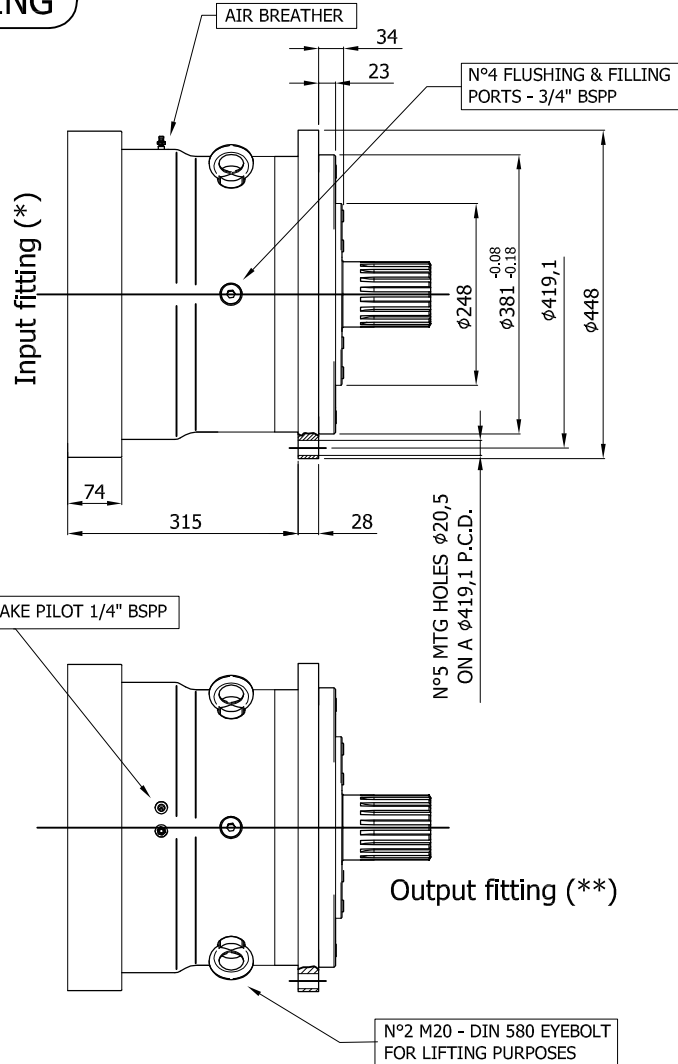


MOTOR ADAPTORS



MOTOR	Z	CODE	ORDERING CODE
IAMD 2000-2200-2500 2800-3000-3200-3500 H6 A3			
IAM 2200-2500 2800-3000-3200-3500 H6 A3	55	206.004.0014	M1
IAC 3000 H6 A3			

INSTALLATION DRAWING



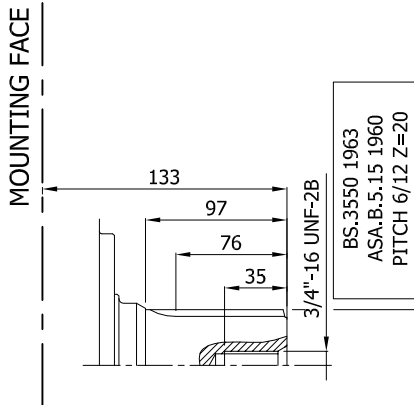
TECHNICAL DATA

	B3 1500	B3 2000
RATED BRAKING TORQUE [Nm]	15000	20000
RELEASE PRESSURE [bar]	40-45 (***)	40-45 (***)
MAX. PRESSURE [bar]	350	350
WEIGHT [kg]	300	300

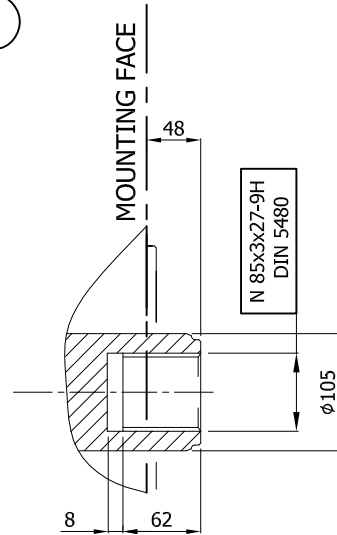
(*) See next page for input configuration
 (**) See next page for output shaft options
 (***) The brake starts to release the load at 25-35 bar, the brake is fully opened at 40-45 bar.

OUTPUT SHAFT CONFIGURATION

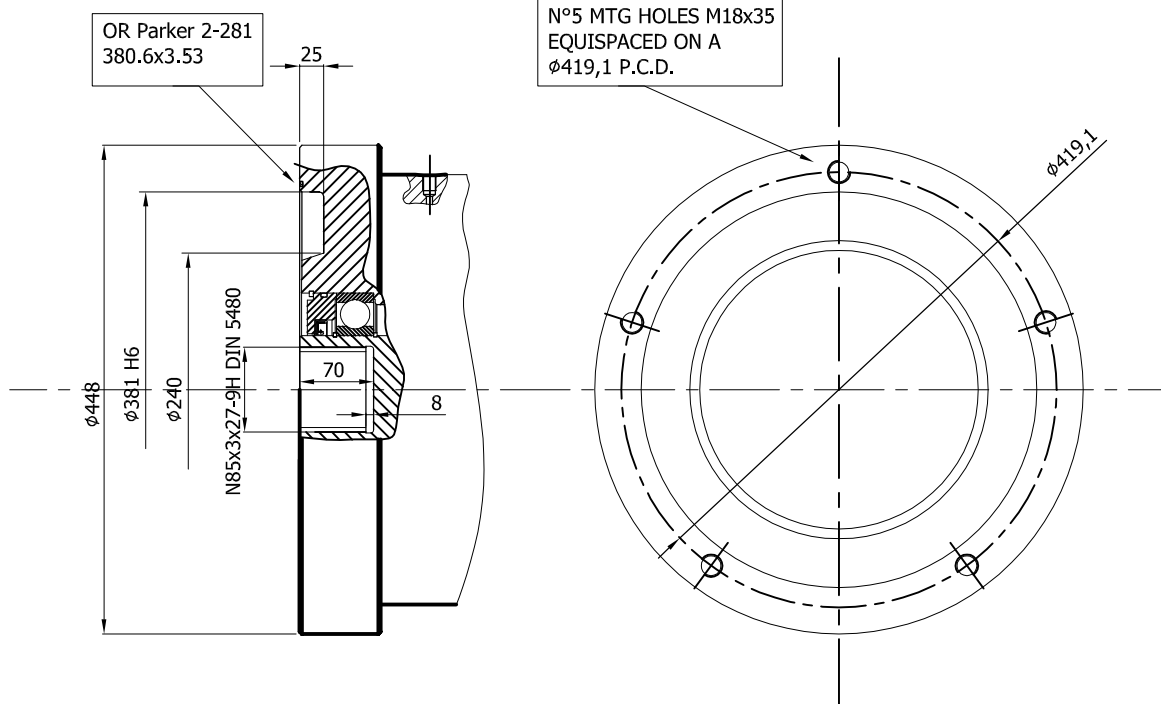
A1




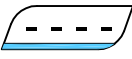



A3



INPUT CONFIGURATION



ORDERING CODE

	Brake model
	Torque
	Output shaft
	Motor adaptor (optional)
	Special features (Italgroup internal code)

Example: B3 1500 A3
 B3 2000 A3 M1
 B3 1500 A1