

TECHNICAL DATA

G

MODEL		G 20	G 27	G 34	G 50	G 75	G 90	G 100
Displacement	cc/rev	20,5	27,3	34,2	50,9	76,3	89	102
Specific Torque	Nm/bar	0,32	0,43	0,54	0,81	1,21	1,41	1.61
Max cont. Pressure	bar	250	250	250	250	250	250	250
Max int. Pressure	bar	280	280	280	280	280	280	280
Peak pressure	bar	350	350	350	350	350	350	350
Max continuous speed	rpm	2400	2400	2400	2300	2150	2000	1900
Peak speed	rpm	2500	2500	2500	2400	2300	2200	2200
Minimum speed	rpm	40	35	30	25	20	15	10
Dry weight	kg	19	19	19	25	25	25	25
Max power	HP	17	24	28	42	59	71	82
	kW	12	17	21	31	44	52	60

- N° of pistons: 9
- Max case pressure: 6 bar
- Max back pressure: 70 bar
- Temperature range: -30°C ÷ +70°C

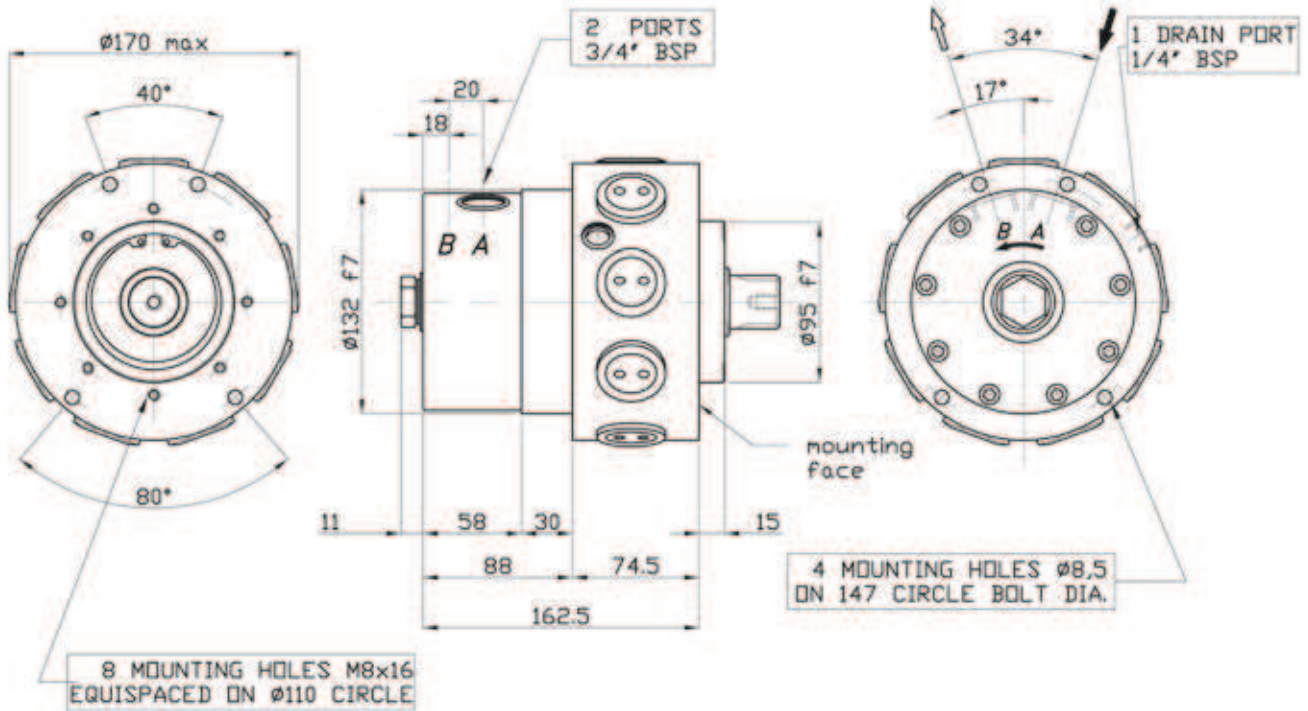
When the motor continuously works at high power values, motor flushing is needed (see performance diagrams). The recommended flushing flow is 3 l/min (G20, G27, G34), and 5 l/min (G50, G75, G90, G100).

For further information please contact Italgroup technical department.

SIZE

G 20-27-34

SINGLE DISPLACEMENT



SHAFT

G 20-27-34

A0: Splined Shaft

A1: Splined Shaft

A2: Parallel shaft

