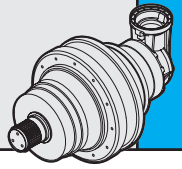


1000

	i	Mc [kNm]				n _{1max} [min ⁻¹]	Pt [kW]	Kg				
		n ₂ x h	n ₂ x h	n ₂ x h	n ₂ x h			M	P	CPC	F	FS
		10.000	20.000	50.000	100.000							
PG 1001	3.56	13.80	12.21	10.39	9.20	2000	40	97	-	147	65	102
	4.29	11.86	10.50	8.94	7.91							
	5.60	9.22	8.16	6.94	6.15							
	6.75	7.04	6.23	5.30	4.69							
	8.67	4.98	4.41	3.75	3.32							
PG 1002	13.43	13.80	12.21	10.39	9.20	2800	23	113	-	163	81	118
	16.19	11.86	10.50	8.94	7.91							
	18.37	11.87	10.51	8.94	7.92							
	22.14	11.86	10.50	8.94	7.91							
	25.71	11.86	10.50	8.94	7.91							
	28.93	9.22	8.16	6.94	6.15							
	33.60	9.22	8.16	6.94	6.15							
	40.60	9.22	8.16	6.94	6.15							
48.94	7.04	6.23	5.30	4.69								
PG 1003	57.57	13.80	12.21	10.39	9.20	2800	15	121	-	171	89	126
	62.86	13.80	12.21	10.39	9.20							
	75.77	11.86	10.50	8.94	7.91							
	82.13	11.78	10.41	8.86	7.83							
	94.90	11.86	10.50	8.94	7.91							
	110.20	11.86	10.50	8.94	7.91							
	119.33	11.33	10.03	8.53	7.52							
	124.00	11.70	10.35	8.80	7.76							
	144.00	11.86	10.50	8.94	7.91							
	155.93	9.22	8.16	6.94	6.15							
	173.57	11.86	10.50	8.94	7.91							
	188.16	9.22	8.16	6.94	6.15							
	195.30	9.22	8.16	6.94	6.15							
	209.73	9.50	8.40	7.15	6.34							
	226.80	9.22	8.16	6.94	6.15							
	235.41	7.04	6.23	5.30	4.69							
	274.05	9.22	8.16	6.94	6.15							
330.33	7.04	6.23	5.30	4.69								
PG 1004	352.00	13.80	12.21	10.39	9.20	2800	11	127	-	177	95	132
	388.57	11.86	10.50	8.94	7.91							
	413.91	11.33	10.00	8.44	7.55							
	440.89	11.87	10.51	8.94	7.92							
	468.37	11.86	10.50	8.94	7.91							
	511.42	11.86	10.50	8.94	7.91							
	531.43	11.86	10.50	8.94	7.91							
	566.08	11.87	10.51	8.94	7.92							
	601.36	11.86	10.50	8.94	7.91							
	640.56	11.86	10.50	8.94	7.91							
	724.42	9.22	8.16	6.94	6.15							
	806.40	10.40	9.22	7.84	6.95							
	907.35	9.22	8.16	6.94	6.15							
	972.00	11.86	10.50	8.94	7.91							
	1074.67	11.86	10.50	8.94	7.91							
	1171.61	11.86	10.50	8.94	7.91							
	1270.08	9.22	8.16	6.94	6.15							
	1530.90	9.22	8.16	6.94	6.15							
	1817.68	9.50	8.40	7.15	6.34							
	2229.71	7.04	6.23	5.30	4.69							

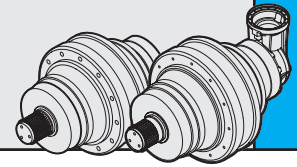


	i	Mc [kNm]				n _{1max} [min ⁻¹]	Pt [kW]	Kg				
		n ₂ x h	n ₂ x h	n ₂ x h	n ₂ x h			M	P	CPC	F	FS
		10.000	20.000	50.000	100.000							
PGA 1002	12.28	6.66	6.07	5.36	4.88	2800	23	134	-	184	102	139
	14.81	7.83	7.13	6.30	5.73							
	19.35	9.22	8.16	6.94	6.15							
	23.32	7.04	6.23	5.30	4.69							
	30.49	4.82	4.50	4.10	3.83							
	36.75	5.67	5.29	4.82	4.50							
PGA 1003	46.40	13.80	12.21	10.39	9.20	2800	15	153	-	203	121	158
	50.67	13.80	12.21	10.39	9.20							
	61.07	11.86	10.50	8.94	7.91							
	73.70	10.40	9.22	7.84	6.95							
	88.83	11.86	10.50	8.94	7.91							
	96.25	11.86	10.50	8.94	7.91							
	116.15	10.40	9.22	7.84	6.95							
	120.56	11.86	10.50	8.94	7.91							
	125.77	9.22	8.16	6.94	6.15							
	140.00	11.86	10.50	8.94	7.91							
	157.53	9.22	8.16	6.94	6.15							
	182.93	9.22	8.16	6.94	6.15							
	221.04	9.22	8.16	6.94	6.15							
	266.44	7.04	6.23	5.30	4.69							
PGA 1004	139.86	13.80	12.21	10.39	9.20	2800	11	136	-	186	104	141
	168.59	11.86	10.50	8.94	7.91							
	184.08	13.80	12.21	10.39	9.20							
	203.21	11.86	10.50	8.94	7.91							
	230.57	11.86	10.50	8.94	7.91							
	267.76	11.86	10.50	8.94	7.91							
	277.92	11.86	10.50	8.94	7.91							
	301.27	9.22	8.16	6.94	6.15							
	322.74	11.86	10.50	8.94	7.91							
	349.87	10.40	9.22	7.84	6.95							
	378.84	9.22	8.16	6.94	6.15							
	421.71	9.22	8.16	6.94	6.15							
	474.51	9.22	8.16	6.94	6.15							
	508.32	11.86	10.50	8.94	7.91							
	551.04	9.22	8.16	6.94	6.15							
	665.84	9.22	8.16	6.94	6.15							
	802.58	7.04	6.23	5.30	4.69							
967.39	7.04	6.23	5.30	4.69								

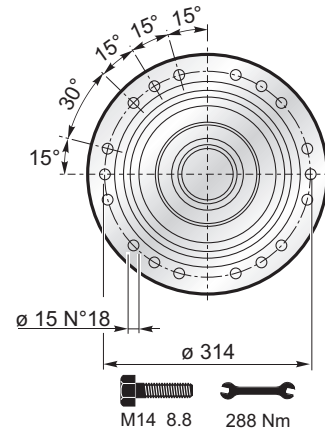
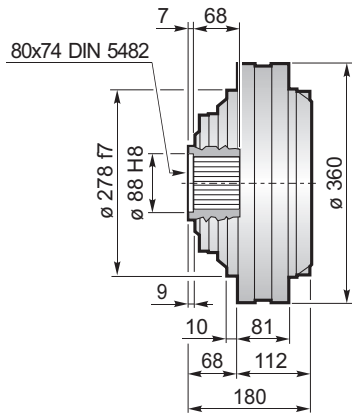
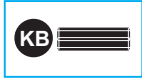


(n₂ x h = 20.000)

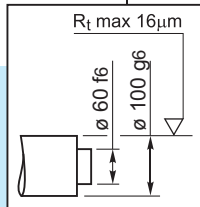
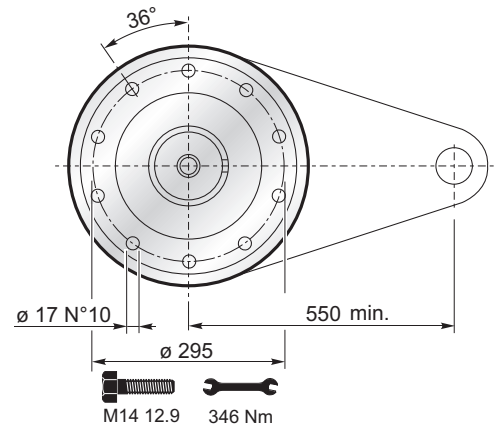
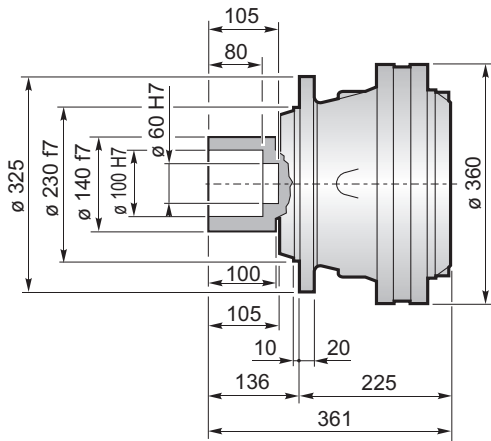
$$M_{\max} = M_c \times 2$$



F



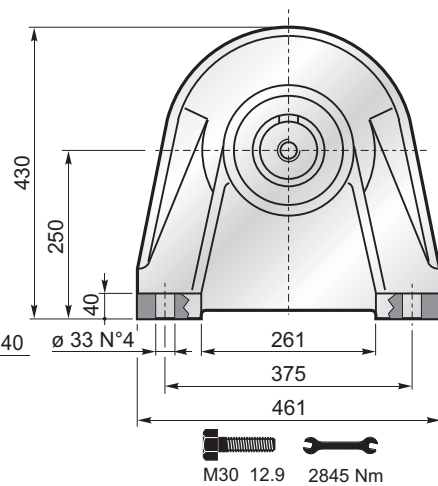
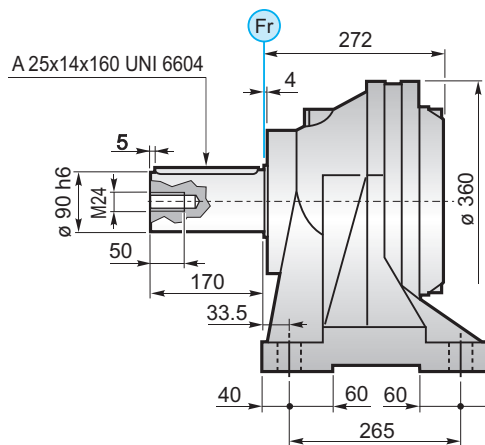
FS



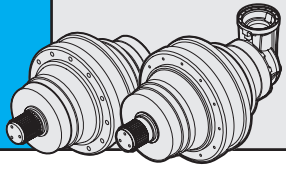
$M_{max} = 17.6 \text{ kNm}$

La coppia massima indicata è valida solo con calettatori forniti da Planetary Drives
 The maximum torque indicated is valid only with shrink discs supplied by Planetary Drives
 Das dargestellte, maximale Drehmoment gilt nur mit von Planetary Drives gelieferter Schrumpfscheibe
 Le couple maximal indiqué n'est valable qu'avec les frettes de serrage fournis par Planetary Drives
 El momento máximo indicado sólo es válido con discos de contracción suministrados por Planetary Drives
 O torque máximo indicado é válido exclusivamente com discos de contração fornecidos pela Planetary Drives

CPC

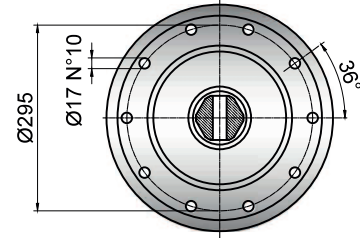
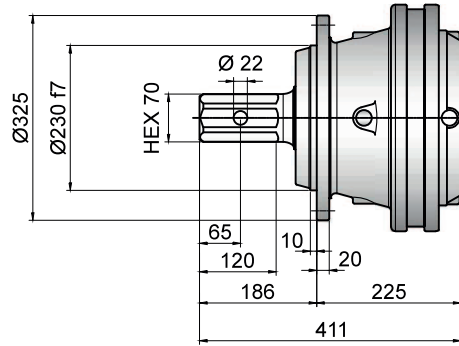


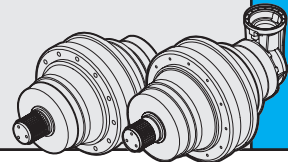
FL YZ BS FF KB GA → B-60

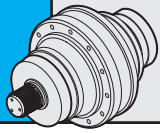


1000

ME







1000

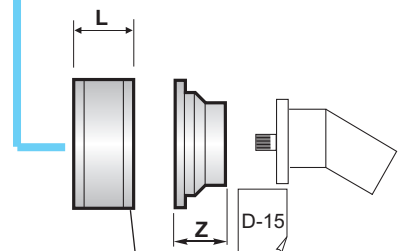
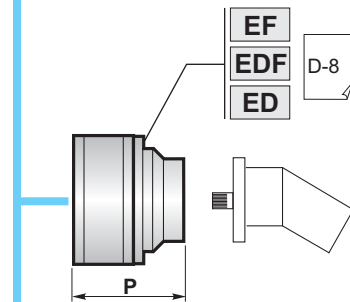
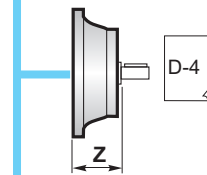
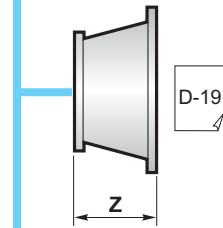
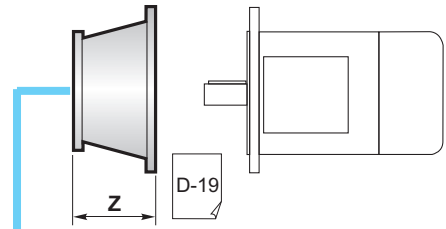
	PG ...MS					
	A	B	RA	RB	EF	EDF
PG 1001	225	351		•		
PG 1002	296.5	422.5	•	o	•	
PG 1003	357.5	483.5	•			•
PG 1004	405.5	531.5	•			•

	PG ...MC					
	A	B	RA	RB	EF	EDF
PG 1001	225	431		•		
PG 1002	296.5	502.5	•	o	•	
PG 1003	357.5	563.5	•			•
PG 1004	405.5	611.5	•			•

	PG ...F					
	A	B	RA	RB	EF	EDF
PG 1001	112	180		•		
PG 1002	183.5	251.5	•	o	•	
PG 1003	244.5	383.5	•			•
PG 1004	292.5	360.5	•			•

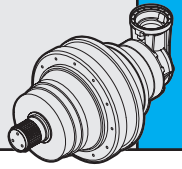
	PG ...FS					
	A	B	RA	RB	EF	EDF
PG 1001	225	361		•		
PG 1002	296.5	432.5	•	o	•	
PG 1003	357.5	493.5	•			•
PG 1004	405.5	541.5	•			•

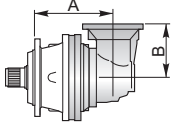
	PG ...CPC					
	A	B	RA	RB	EF	EDF
PG 1001	272	442		•		
PG 1002	343.5	513.5	•	o	•	
PG 1003	404.5	574.5	•			•
PG 1004	452.5	622.5	•			•

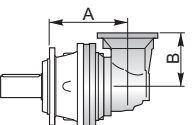


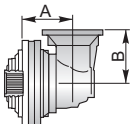
D-2	RA	RB	L
	RA		81
	RB		125

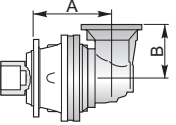
!	A+13.5	B+13.5	o
---	--------	--------	---

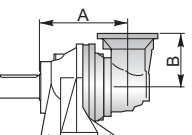


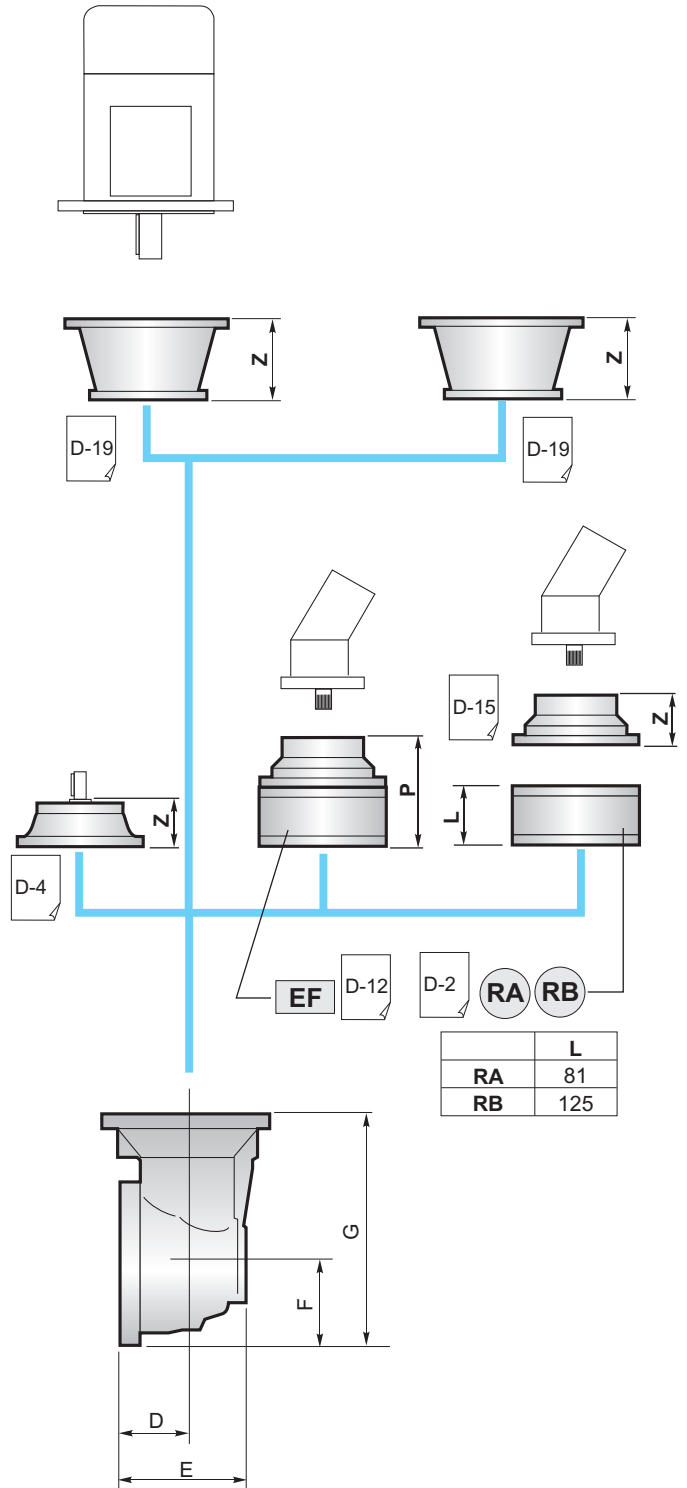
	PGA ...MS					
	A	B	RA	RB	EF	
PGA 1002	313	240	•	o	•	
PGA 1003	398	240	•	o	•	
PGA 1004	432.5	159	•		•	

	PGA ...MC					
	A	B	RA	RB	EF	
PGA 1002	313	240	•	o	•	
PGA 1003	398	240	•	o	•	
PGA 1004	432.5	159	•		•	

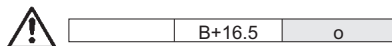
	PGA ...F					
	A	B	RA	RB	EF	
PGA 1002	200	240	•	o	•	
PGA 1003	285	240	•	o	•	
PGA 1004	319.5	159	•		•	

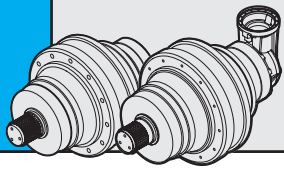
	PGA ...FS					
	A	B	RA	RB	EF	
PGA 1002	313	240	•	o	•	
PGA 1003	398	240	•	o	•	
PGA 1004	432.5	159	•		•	

	PGA ...CPC					
	A	B	RA	RB	EF	
PGA 1002	360	240	•	o	•	
PGA 1003	445	240	•	o	•	
PGA 1004	479.5	159	•		•	



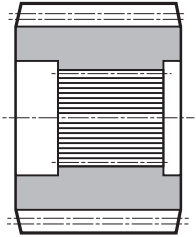
	D	E	F	G
PGA 1002	88	164	140	380
PGA 1003	88	164	140	380
PGA 1004	75	141.5	93	252





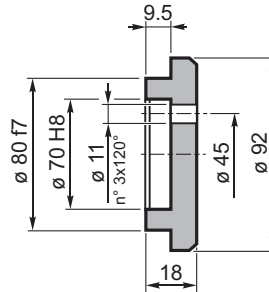
1000

YZ Pignoni / Pinion
Ritzel / Pignon
Piñones / Pinhões



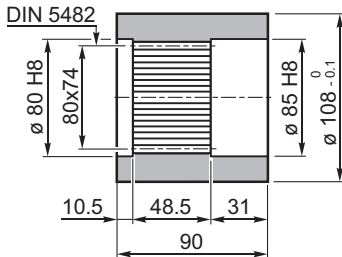
Su richiesta / On request
Auf Anfrage / Sur demande
Bajo demanda / Sob consulta

FF Fondello di arresto / Stop bottom plate
Endscheibe / Bouchon de fermeture
Tapón de detención / Fundo de batente



Codice / Code
Bestell - Nr. / Code
Código / Código
5701.030.000

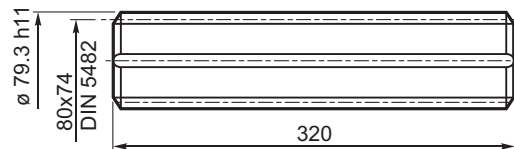
BS Boccola scanalata / Splined bushing
Innenverzahnte Buchse / Moyeu cannelé
Casquillo ranurado / Bucha estriada



Materiale / Material
Material / Matière
Material / Material
UNI C40
SAE 1040
DIN Ck40

Codice / Code
Bestell - Nr. / Code
Código / Código
1716.103.076

KB Barra scanalata / Splined rod
Außenverzahnte Welle / Arbre cannelé
Barra ranurada / Barra estriada

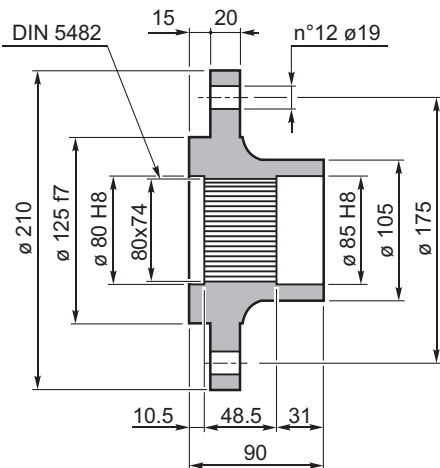


Materiale / Material
Material / Matière
Material / Material

UNI 39NiCrMo3
bonificato / hardened and tempered
vergütet / bonifié
bonificado / endurecido e temperado

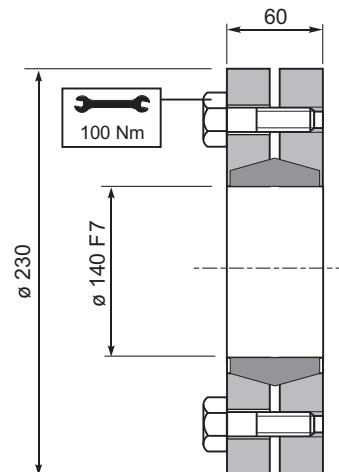
Codice / Code
Bestell - Nr. / Code
Código / Código
1703.406.042

FL Flangia / Flange
Flansch / Bride
Brida / Flange



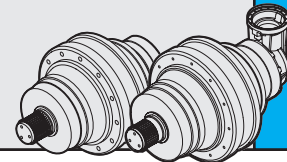
Codice / Code
Bestell - Nr. / Code
Código / Código
1716.105.098

GA Giunto di attrito / Shrink disc
Schrumpfscheibe / Frette de serrage
Disco de contracción / Disco de contração



Coppia max.
Max. torque
Max. Drehmoment
Couple max.
Momento máx.
Torque máx.
17,6 kNm

Codice / Code
Bestell - Nr. / Code
Código / Código
9015.140.000



CARICHI RADIALI (Fr)

Nei diagrammi seguenti sono riportati i carichi radiali e i coefficienti K per rapportarli al valore $n_2 \times h$ desiderato.

RADIAL LOADS (Fr)

The following curves show the radial loads and the K factors to obtain the required $n_2 \times h$ value.

RADIALLAST (Fr)

In den nachstehenden Diagrammen ist die Radiallast und der Koeffizient K dargestellt und kann mit dem gewünschten Wert $n_2 \times h$ verglichen werden.

CHARGES RADIALES (Fr)

Dans les diagrammes suivants sont indiqués les charges radiales et les facteurs K de façon à obtenir la valeur $n_2 \times h$ désirée.

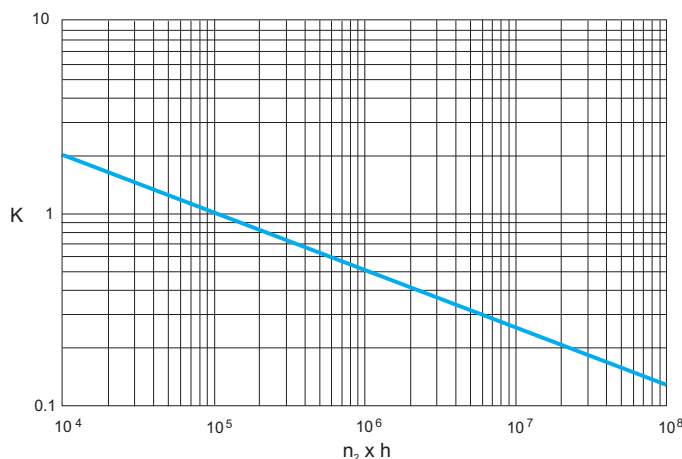
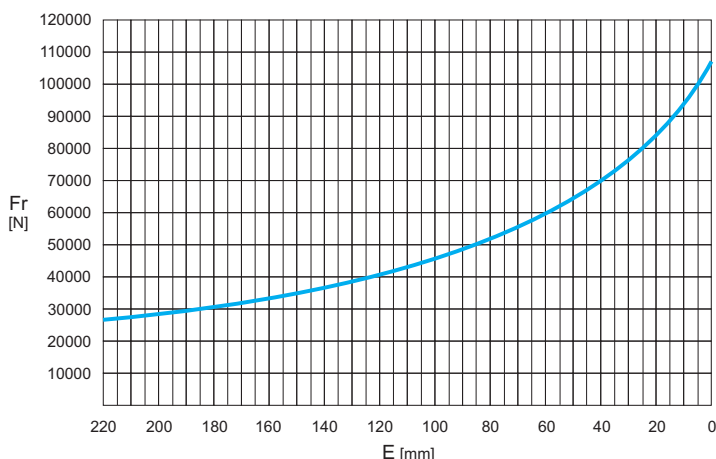
CARGAS RADIALES (Fr)

En los siguientes diagramas se indican las cargas radiales y los coeficientes K para obtener el valor requerido $n_2 \times h$.

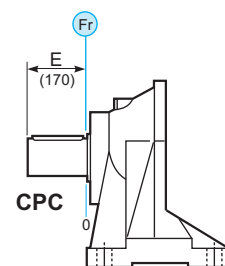
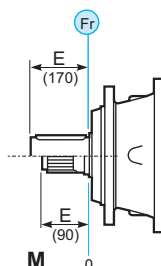
CARGAS RADIAIS (Fr)

Nos diagramas seguintes são indicadas as cargas radiais e os coeficientes K para obter o valor $n_2 \times h$ desejado.

M - CPC



	$n \times h$				
	10^5	10^4	10^6	10^7	10^8
M	Fr		Fr • K		
*CPC	Fr • 0.75		Fr • K • 0.75		



CARICHI ASSIALI (Fa)

I valori dei carichi assiali indicati in tabella sono riferiti alle versioni e alla direzione di applicazione del carico.

AXIAL LOADS (Fa)

The values of the axial loads in the table refer to the output versions and load direction of application.

AXIALLAST (Fa)

Die dargestellten Werte der Axiallast basieren auf der Version und der applizierten Lastrichtung.

CHARGES AXIALES (Fa)

Les valeurs des charges axiales indiquées dans le tableau se réfèrent aux versions et à la direction d'application de la charge.

CARGAS AXIALES (Fa)

Los valores de las cargas axiales indicados en la tabla se refieren a las versiones y a la dirección de aplicación de la carga.

CARGAS AXIAIS (Fa)

Os valores das cargas axiais indicadas na tabela referem-se às versões e à direção de aplicação da carga.

Fa [N]	M	CPC	← →
	40000	40000	
65000	65000	65000	

