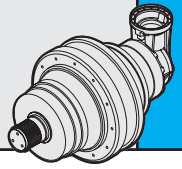


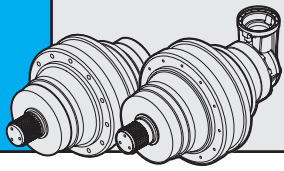
# 16000

	i	Mc [kNm]				n <sub>1max</sub> [min <sup>-1</sup> ]	Pt [kW]	Kg				
		n <sub>2</sub> x h	n <sub>2</sub> x h	n <sub>2</sub> x h	n <sub>2</sub> x h			M	P	CPC	F	FS
		10.000	20.000	50.000	100.000							
<b>PG 16001</b>	3.83	236.0	212.5	185.0	171.5	200	109	690	-	-	655	672
	4.40	204.0	183.7	159.9	150.8							
<b>PG 16002</b>	15.15	201.5	178.3	151.8	134.3	1200	67	922	-	-	887	914
	17.40	204.0	183.7	159.9	150.6							
	19.39	147.5	130.5	111.1	98.3							
	22.28	165.3	146.3	124.5	110.2							
	26.40	131.9	116.7	99.3	87.9							
<b>PG 16003</b>	53.85	179.7	159.1	135.3	119.8	2000	47	965	-	-	930	957
	61.87	201.5	178.3	151.7	134.3							
	74.57	175.6	155.4	132.2	117.1							
	83.10	147.5	130.5	111.1	98.3							
	95.46	165.3	146.3	124.5	110.2							
	108.58	146.8	130.0	110.6	97.9							
	124.74	164.6	145.7	124.0	109.8							
	147.84	131.9	116.7	99.3	87.9							
	178.20	131.9	116.7	99.3	87.9							
<b>PG 16004</b>	233.72	157.8	139.8	119.0	105.3	2800	37	980	-	-	945	972
	260.44	147.5	130.5	111.1	98.3							
	326.70	165.3	146.3	124.5	110.2							
	360.64	165.3	146.3	124.5	110.2							
	393.79	165.3	146.3	124.5	110.2							
	429.34	147.5	130.5	111.1	98.3							
	493.23	165.3	146.3	124.5	110.2							
	514.55	164.6	145.7	124.0	109.8							
	572.79	147.4	130.6	111.1	98.6							
	644.49	164.6	145.7	124.0	109.8							
	678.86	131.9	116.7	99.3	87.9							
	748.44	164.6	145.7	124.0	109.8							
	820.29	131.9	116.7	99.3	87.9							
	904.37	143.8	127.3	108.2	96.0							
	1069.20	131.9	116.7	99.3	87.9							
	1291.95	131.9	116.7	99.3	87.9							
<b>PG 16005</b>	1093.71	167.8	148.7	126.7	112.0	2800	30	990	-	-	955	982
	1207.35	175.6	155.4	132.2	117.1							
	1318.32	167.8	148.7	126.7	112.0							
	1400.14	165.3	146.3	124.5	110.2							
	1545.61	165.3	146.3	124.5	110.2							
	1651.22	137.2	121.6	103.4	91.6							
	1722.60	136.0	120.2	102.3	90.4							
	1829.52	164.6	145.7	124.0	109.8							
	2019.60	155.1	137.0	116.6	103.0							
	2205.23	165.3	146.3	124.5	110.2							
	2404.28	147.5	130.5	111.1	98.3							
	2661.12	164.6	145.7	124.0	109.8							
	2762.10	165.3	146.3	124.5	110.2							
	3329.32	165.3	146.3	124.5	109.9							
	4350.31	164.6	145.7	124.0	109.8							
	5051.97	164.6	145.7	124.0	109.8							
6104.46	143.8	127.3	108.2	96.0								
8720.66	131.9	116.7	99.3	87.9								



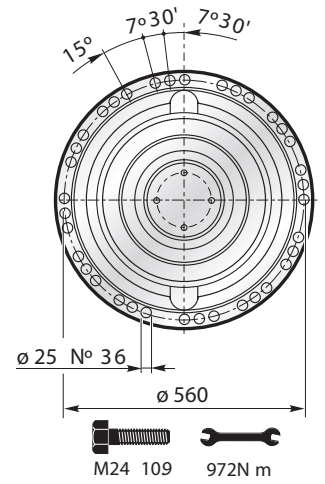
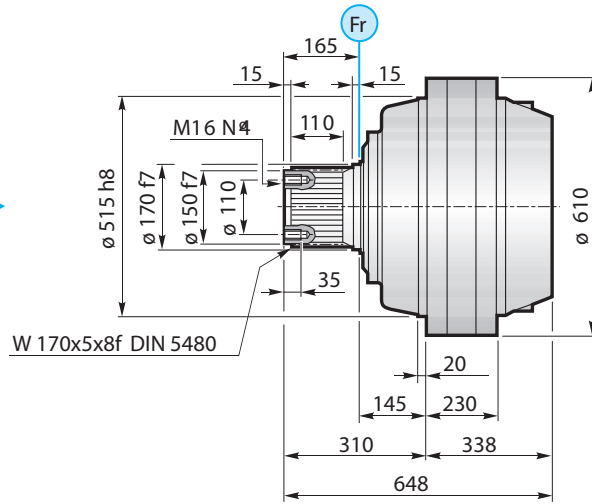
	i	Mc [kNm]				n <sub>1max</sub> [min <sup>-1</sup> ]	Pt [kW]	Kg				
		n <sub>2</sub> x h	n <sub>2</sub> x h	n <sub>2</sub> x h	n <sub>2</sub> x h			M	P	CPC	F	FS
		10.000	20.000	50.000	100.000							
<b>PGA 16003</b>	59.55	88.5	71.9	54.6	44.4	2500	42	1005	-	-	970	997
	70.58	99.6	81.0	61.5	50.0							
	81.09	109.8	89.2	67.8	55.1							
	90.48	72.4	65.6	49.8	40.4							
	107.24	84.6	73.8	56.1	45.5							
	123.20	96.0	81.4	61.8	50.2							
<b>PGA 16004</b>	251.31	160.1	130.0	98.7	80.1	2500	35	1038	-	-	1003	1030
	321.72	147.5	130.5	111.1	95.3							
	383.13	164.6	145.7	124.0	109.8							
	445.50	165.3	146.3	124.5	110.2							
	506.71	146.8	130.0	110.6	97.9							
	582.12	164.6	145.7	124.0	109.8							
	689.92	131.9	116.7	99.3	87.9							
	723.87	117.6	104.1	88.6	78.4							
	831.60	131.9	116.7	99.3	87.9							
<b>PGA 16005</b>	1128.60	165.3	146.3	124.5	110.2	2800	27	1023	-	-	988	1015
	1330.99	137.2	121.6	103.4	91.6							
	1417.03	146.8	130.0	110.6	97.9							
	1547.27	146.8	130.0	110.6	97.9							
	1674.75	140.7	131.3	117.5	95.3							
	1777.55	164.6	145.7	124.0	109.8							
	1866.23	147.5	130.5	111.1	98.3							
	2004.14	134.3	118.9	101.1	89.6							
	2226.42	164.6	145.7	124.0	109.8							
	2438.54	146.8	130.0	110.6	97.9							
	2685.38	165.3	146.3	124.5	110.2							
	3054.33	146.8	130.0	110.6	97.9							
	4074.84	164.6	145.7	124.0	109.8							
	4466.00	131.9	116.7	99.3	87.9							
	5821.20	131.9	116.7	99.3	87.9							
7033.95	131.9	116.7	99.3	87.9								

$$M_{\max} = M_c \times 1.6 \quad (n_2 \times h = 20.000)$$

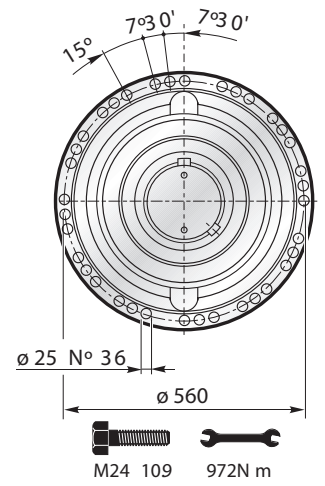
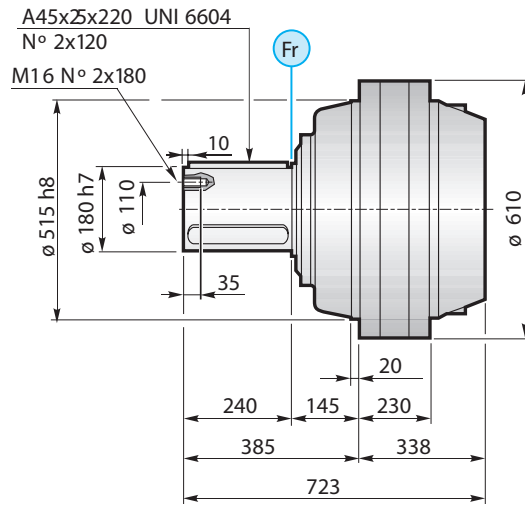


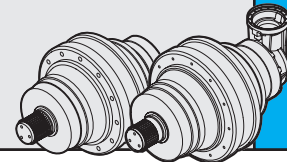
# 16000

MS

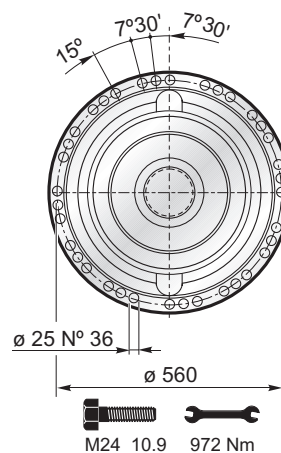
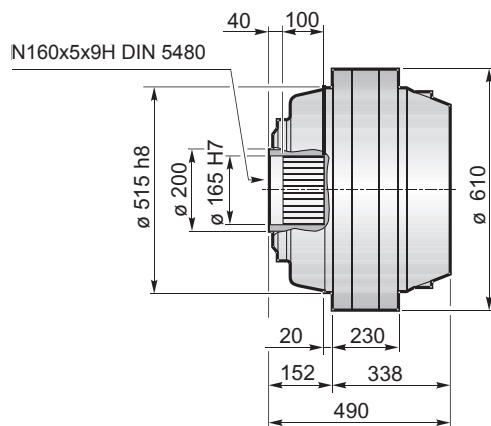


MC

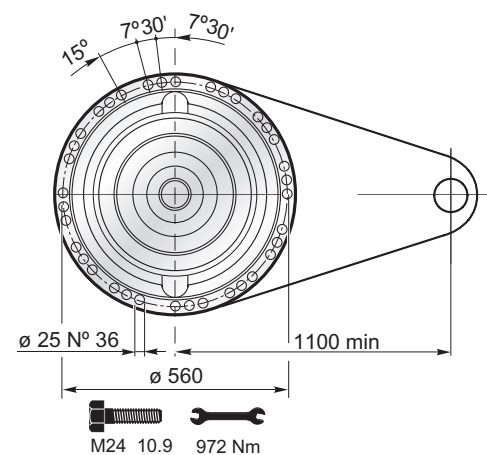
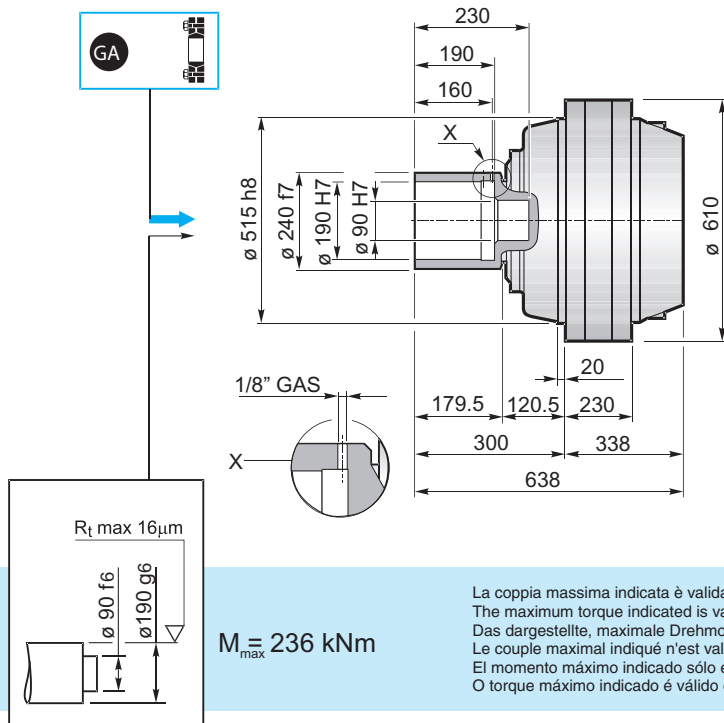




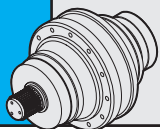
F



FS



La coppia massima indicata è valida solo con calettatori forniti da Planetary Drives  
 The maximum torque indicated is valid only with shrink discs supplied by Planetary Drives  
 Das dargestellte, maximale Drehmoment gilt nur mit von Planetary Drives gelieferter Schrumpfscheibe  
 Le couple maximal indiqué n'est valable qu'avec les frettes de serrage fournis par Planetary Drives  
 El momento máximo indicado sólo es válido con discos de contracción suministrados por Planetary Drives  
 O torque máximo indicado é válido exclusivamente com discos de contração fornecidos pela Planetary Drives



# 16000

PG ...MS							
	A	B	RA	RB	EF	EDF	
PG16001	416.5	726.5					
PG16002	637.5	947.5					
PG16003	744.5	1054.5		•			
PG16004	816	1126	•	o	•		
PG16005	877	1187	•			•	

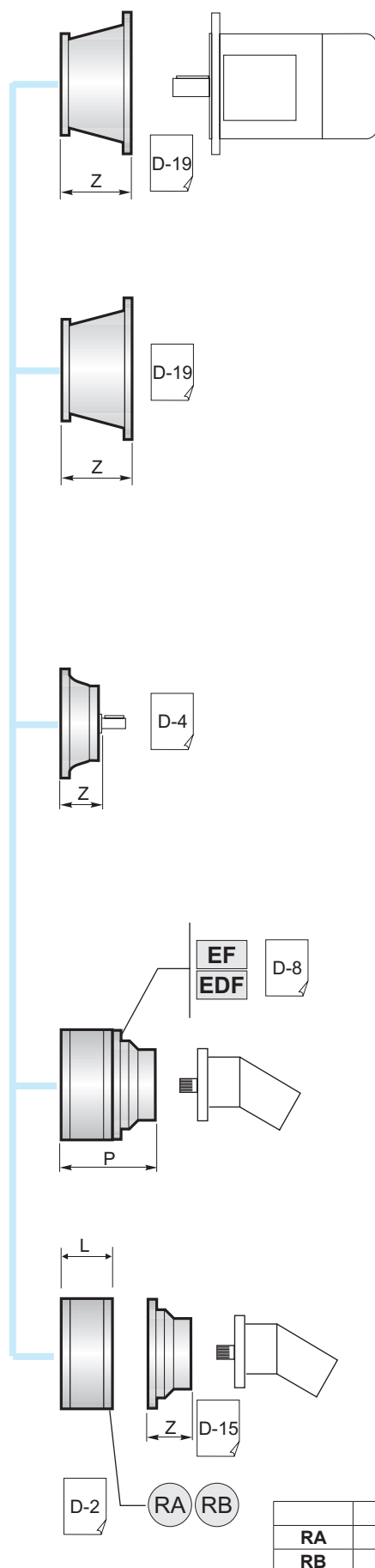
PG ...MC							
	A	B	RA	RB	EF	EDF	
PG16001	416.5	801.5					
PG16002	637.5	1022.5					
PG16003	744.5	1129.5		•			
PG16004	816	1201	•	o	•		
PG16005	877	1262	•			•	

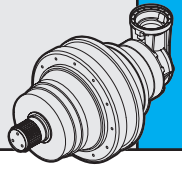
PG ...F							
	A	B	RA	RB	EF	EDF	
PG16001	416.5	568.5					
PG16002	637.5	789.5					
PG16003	744.5	896.5		•			
PG16004	816	968	•	o	•		
PG16005	877	1029	•			•	

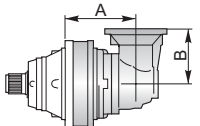
PG ...FS							
	A	B	RA	RB	EF	EDF	
PG16001	416.5	716.5					
PG16002	637.5	937.5					
PG16003	744.5	1044.5		•			
PG16004	816	1116	•	o	•		
PG16005	877	1177	•			•	

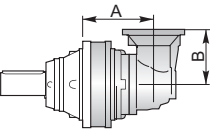


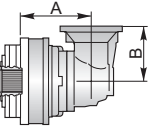
A	B	•
A+13.5	B+13.5	o

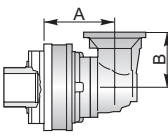




	PGA ...MS					
	A	B	RA	RB	EF	EDF
PGA16003	818.5	315		•		
PGA16004	879.5	315	•	o	•	
PGA16005	917.5	240	•			•

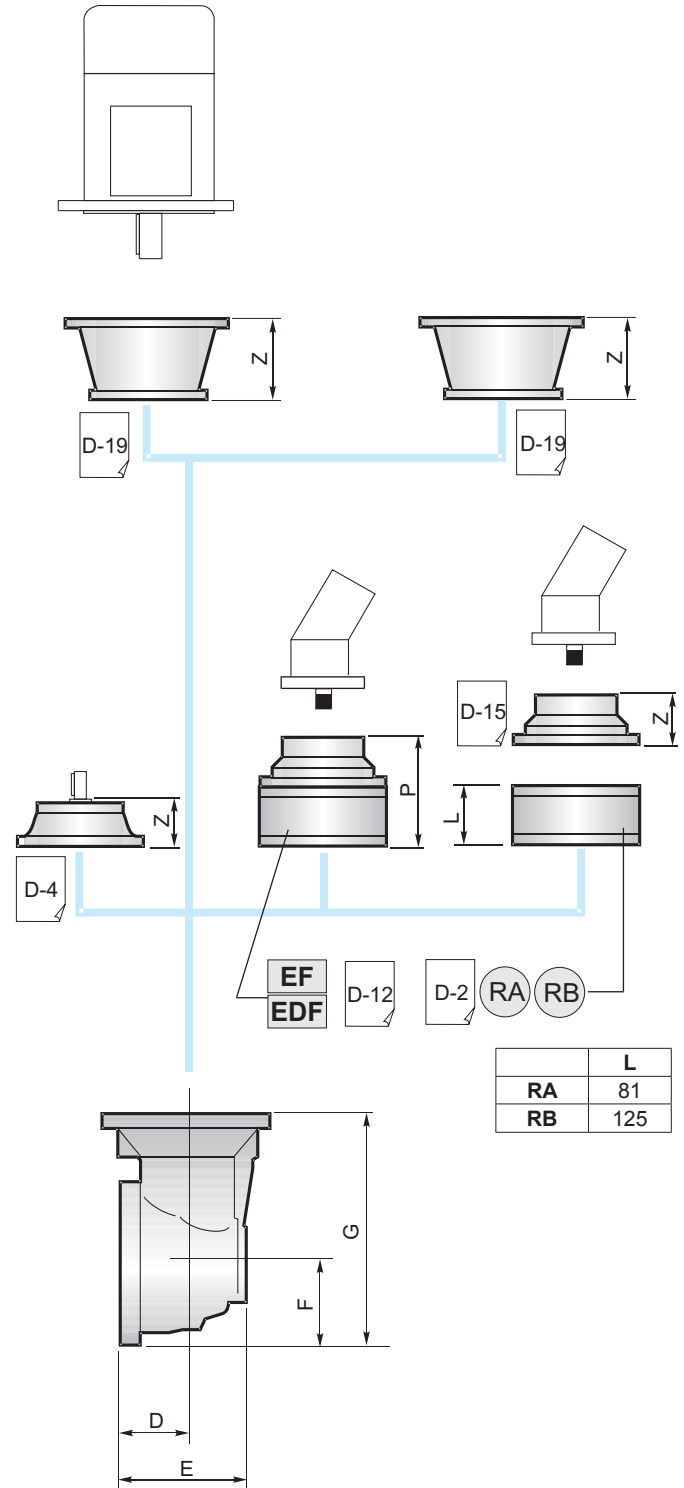
	PGA ...MC					
	A	B	RA	RB	EF	EDF
PGA16003	818.5	315		•		
PGA16004	879.5	315	•	o	•	
PGA16005	917.5	240	•			•

	PGA ...F					
	A	B	RA	RB	EF	EDF
PGA16003	818.5	315		•		
PGA16004	879.5	315	•	o	•	
PGA16005	917.5	240	•			•

	PGA ...FS					
	A	B	RA	RB	EF	EDF
PGA16003	818.5	315		•		
PGA16004	879.5	315	•	o	•	
PGA16005	917.5	240	•			•

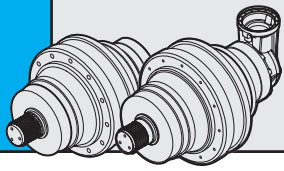


B	•
B+16.5	o



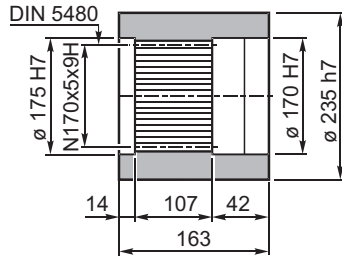
	L
RA	81
RB	125

	D	E	F	G
PGA16003	88	256	235	550
PGA16004	88	256	235	550
PGA16005	88	164	140	380



# 16000

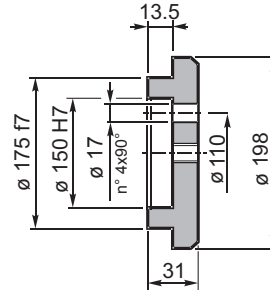
**BS** Boccola scanalata / Splined bushing  
Innenverzahnte Buchse / Moyeu cannelé  
Casquillo ranurado / Bucha estriada



Materiale / Material  
Material / Matière  
Material / Material  
UNI C40  
SAE 1040  
DIN Ck40

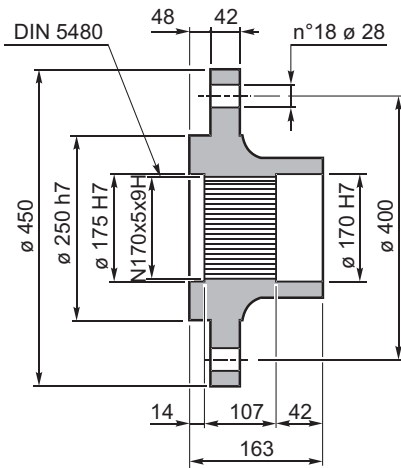
Codice / Code  
Bestell - Nr. / Code  
Código / Código

**FF** Fondello di arresto / Stop bottom plate  
Endscheibe / Bouchon de fermeture  
Tapón de detención / Fundo de batente



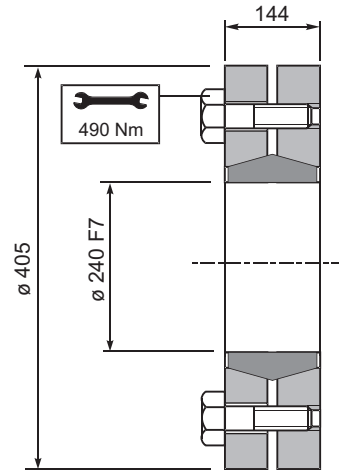
Codice / Code  
Bestell - Nr. / Code  
Código / Código

**FL** Flangia / Flange  
Flansch / Bride  
Brida / Flange



Codice / Code  
Bestell - Nr. / Code  
Código / Código

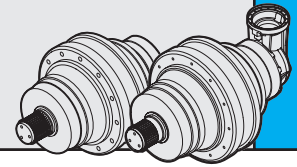
**GA** Giunto di attrito / Shrink disc  
Schrumpfscheibe / Frette de serrage  
Disco de contracción / Disco de contração



Coppia max.  
Max. torque  
Max. Drehmoment  
Couple max.  
Momento máx.  
Torque máx.

236 kNm

Codice / Code  
Bestell - Nr. / Code  
Código / Código



## CARICHI RADIALI (Fr)

Nei diagrammi seguenti sono riportati i carichi radiali e i coefficienti K per rapportarli al valore  $n_2 \times h$  desiderato.

### RADIAL LOADS (Fr)

The following curves show the radial loads and the K factors to obtain the required  $n_2 \times h$  value.

### RADIALLAST (Fr)

In den nachstehenden Diagrammen ist die Radiallast und der Koeffizient K dargestellt und kann mit dem gewünschten Wert  $n_2 \times h$  verglichen werden.

## CHARGES RADIALES (Fr)

Dans les diagrammes suivants sont indiqués les charges radiales et les facteurs K de façon à obtenir la valeur  $n_2 \times h$  désirée.

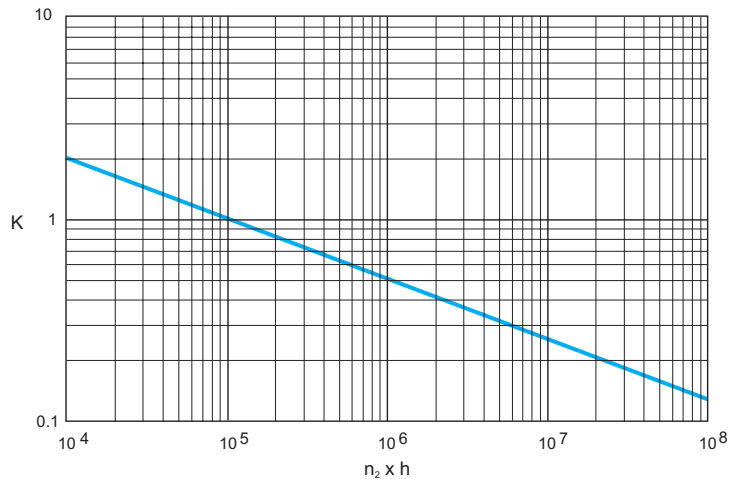
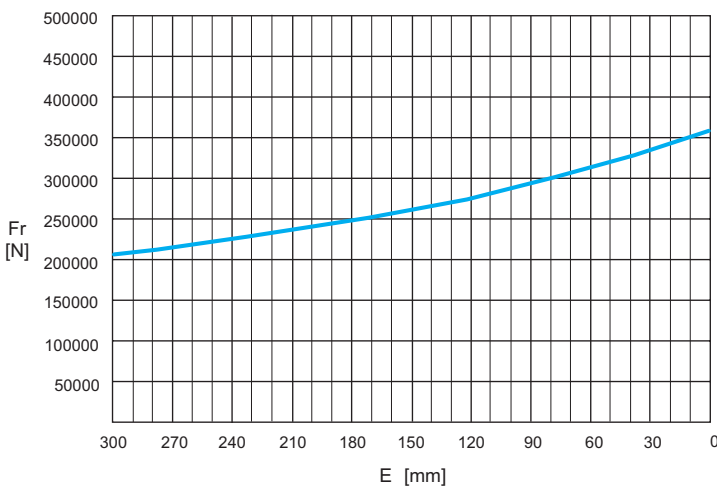
### CARGAS RADIALES (Fr)

En los siguientes diagramas se indican las cargas radiales y los coeficientes K para obtener el valor requerido  $n_2 \times h$ .

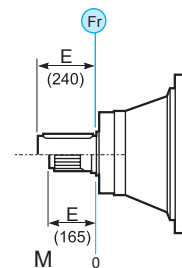
### CARGAS RADIAIS (Fr)

Nos diagramas seguintes são indicadas as cargas radiais e os coeficientes K para obter o valor  $n_2 \times h$  desejado.

## M



	$n_2 \times h$				
	$10^5$	$10^4$	$10^6$	$10^7$	$10^8$
M	Fr		Fr • K		



## CARICHI ASSIALI (Fa)

I valori dei carichi assiali indicati in tabella sono riferiti alle versioni e alla direzione di applicazione del carico.

### AXIAL LOADS (Fa)

The values of the axial loads in the table refer to the output versions and load direction of application.

### AXIALLAST (Fa)

Die dargestellten Werte der Axiallast basieren auf der Version und der applizierten Lastrichtung.

## CHARGES AXIALES (Fa)

Les valeurs des charges axiales indiquées dans le tableau se réfèrent aux versions et à la direction d'application de la charge.

### CARGAS AXIALES (Fa)

Los valores de las cargas axiales indicados en la tabla se refieren a las versiones y a la dirección de aplicación de la carga.

### CARGAS AXIAIS (Fa)

Os valores das cargas axiais indicadas na tabela referem-se às versões e à direção de aplicação da carga.

Fa [N]	M	
		75000
	65250	→

