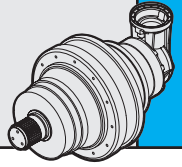


21000/2100H

	i	Mc [kNm]				n _{1max} [min ⁻¹]	Pt [kW]	Kg				
		n ₂ x h	n ₂ x h	n ₂ x h	n ₂ x h			M	P	CPC	F	FS
		10.000	20.000	50.000	100.000							
PG 21001	3.68	279.3	238.2	181.0	147.0	200	133	930	-	-	880	1002
	4.94	201.1	181.1	157.6	142.0							
PG 21002	H 14.08	222.2	196.7	167.4	147.0	1200	72	1124 (1144-H)	-	-	1074 (1094-H)	1096 (1116-H)
	19.54	201.1	181.1	157.6	142.0							
	25.01	181.9	161.0	137.0	121.3							
	29.64	145.1	128.4	109.3	96.7							
PG 21003	H 56.32	222.2	196.7	167.4	147.0	2000	52	1184 (1261-H)	-	-	1134 (1211-H)	1156 (1233-H)
	H 73.22	222.2	196.7	167.4	147.0							
	83.72	193.1	170.9	145.5	128.8							
	H 98.28	201.1	181.1	157.6	142.0							
	107.18	181.9	161.0	137.0	121.3							
	H 118.13	201.1	181.1	157.6	142.0							
	140.05	181.1	160.3	136.4	120.8							
	165.98	145.1	128.4	109.3	96.7							
200.07	145.1	128.4	109.3	96.7								
PG 21004	H 249.42	183.2	162.2	137.9	122.2	2800	40	1200 (1288-H)	-	-	1150 (1238-H)	1177 (1265-H)
	H 334.82	201.1	181.1	157.6	142.0							
	H 389.71	172.4	152.6	129.9	114.9							
	H 433.14	201.1	181.1	157.6	142.0							
	H 491.42	201.1	181.1	157.6	142.0							
	529.07	181.1	160.3	136.4	120.8							
	H 570.05	201.1	181.1	157.6	142.0							
	625.97	142.1	125.7	107.0	94.8							
	H 685.16	201.1	181.1	157.6	142.0							
	723.59	181.1	160.3	136.4	120.8							
	793.14	129.1	114.2	97.1	86.2							
	H 826.91	201.1	179.4	152.8	135.1							
	920.96	145.1	128.4	109.3	96.7							
	1015.36	158.2	140.0	119.1	105.7							
	1200.42	145.1	128.4	109.3	96.7							
1450.51	145.1	128.4	109.3	96.7								
PG 21005	H 1486.55	201.1	181.1	157.6	142.0	2800	32	1208 (1300-H)	-	-	1158 (1250-H)	1185 (1277-H)
	H 1559.32	201.1	181.1	154.5	136.8							
	H 1675.25	222.2	196.7	167.4	147.0							
	H 1729.88	201.1	181.1	157.6	142.0							
	H 1795.45	201.1	181.1	157.6	142.0							
	H 1856.49	201.1	181.1	157.6	142.0							
	H 1945.45	222.2	196.7	167.4	147.0							
	H 2008.89	201.1	181.1	157.6	142.0							
	H 2105.40	172.4	152.6	129.9	114.9							
	H 2196.48	199.8	176.8	150.5	133.2							
	H 2268.10	201.1	181.1	154.5	136.8							
	2314.39	147.7	130.8	111.3	98.5							
	H 2427.41	201.1	181.1	156.0	138.0							
	2475.87	181.9	161.0	137.0	121.3							
	H 2539.02	201.1	181.1	157.6	142.0							
	H 2654.08	199.8	176.8	150.5	133.2							
	3155.64	201.1	181.1	157.6	142.0							
	H 4132.86	201.1	181.1	157.6	142.0							
	H 5995.12	201.1	179.4	152.8	135.1							
	6853.65	158.2	140.0	119.1	105.7							
8122.84	145.1	128.4	109.3	96.7								

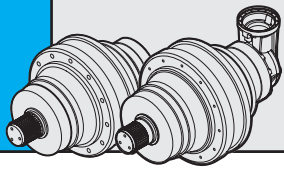
21000/2100H



	i	Mc [kNm]				n _{1max} [min ⁻¹]	Pt [kW]	Kg				
		n ₂ x h	n ₂ x h	n ₂ x h	n ₂ x h			M	P	CPC	F	FS
		10.000	20.000	50.000	100.000							
PGA 21003	60.00	88.9	72.3	54.9	44.6	2500	48	1206	-	-	1156	1178
	76.81	105.7	85.9	65.3	53.0							
	91.04	119.1	96.8	73.5	59.7							
	103.04	81.6	71.8	54.5	44.3							
	116.71	91.4	78.3	59.5	48.3							
	138.32	106.7	88.2	67.0	54.4							
PGA 21004	H 232.21	201.1	181.1	141.6	115.1	2500	40	1266 (1343-H)	-	-	1216 (1293-H)	1238 (1315-H)
	H 341.67	204.7	166.2	126.2	102.4							
	390.71	193.1	170.9	138.6	112.5							
	H 458.66	201.1	181.1	155.0	125.9							
	H 551.28	201.1	181.1	157.6	142.0							
	592.80	145.1	128.4	109.3	96.7							
	653.56	181.1	160.3	136.4	120.8							
	774.59	145.1	128.4	109.3	96.7							
	933.66	145.1	128.4	109.3	96.7							
PGA 21005	H 1120.11	220.9	179.5	136.4	110.8	2800	31	1246 (1334-H)	-	-	1196 (1284-H)	1218 (1306-H)
	H 1264.64	199.8	176.8	148.5	120.6							
	1398.76	181.9	161.0	137.0	121.3							
	H 1496.32	201.1	181.1	157.6	135.7							
	1527.32	181.9	161.0	137.0	121.3							
	H 1697.64	201.1	181.1	157.6	142.0							
	H 1756.74	146.7	136.8	121.5	98.6							
	1827.71	181.1	160.3	136.4	120.8							
	H 1969.26	201.1	181.1	157.6	142.0							
	2204.48	178.5	161.0	137.0	115.5							
	2267.53	147.7	130.8	111.3	98.5							
	H 2358.23	189.2	176.5	149.3	121.1							
	2499.66	181.1	160.3	136.4	120.8							
	H 2675.52	201.1	181.1	157.6	132.3							
	H 3103.61	201.1	181.1	157.6	142.0							
	3501.23	162.2	143.7	122.2	108.4							
	H 4502.08	201.1	179.4	152.8	135.1							
	5528.05	158.2	140.0	119.1	105.7							
	7897.21	145.1	128.4	109.3	96.7							

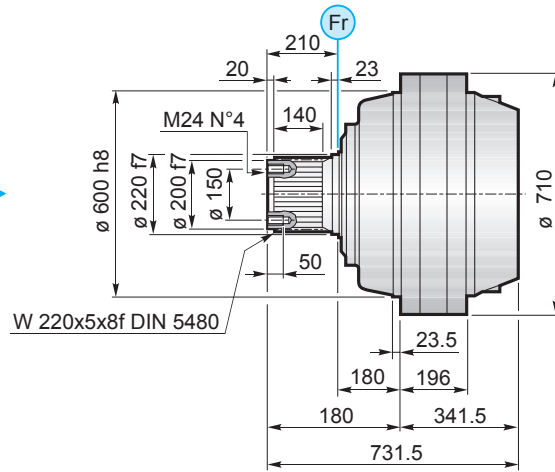
(n₂ x h = 20.000)

$$M_{\max} = M_c \times 1.7$$

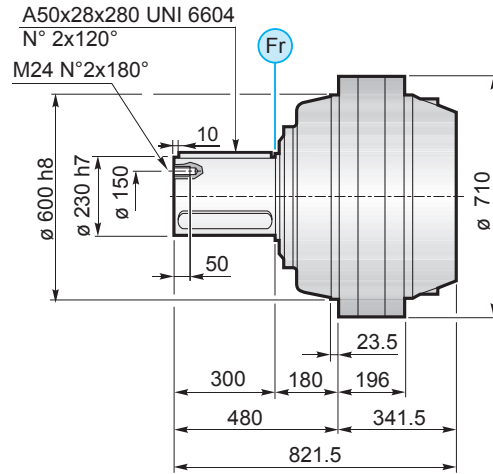


21000/2100H

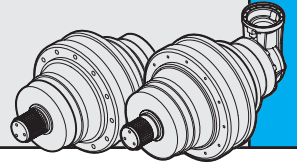
MS



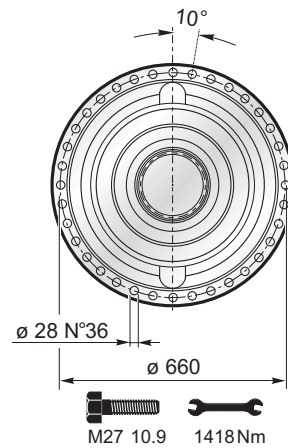
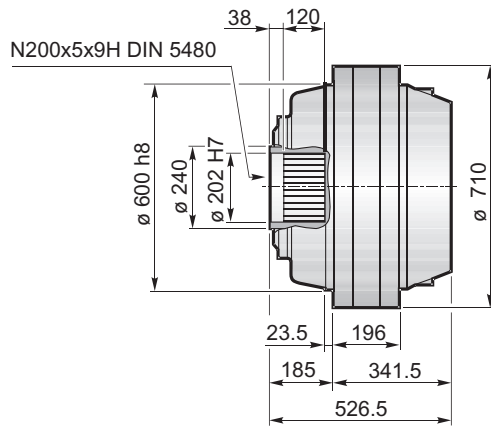
MC



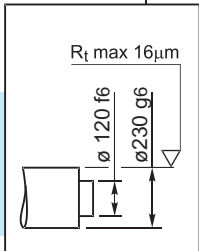
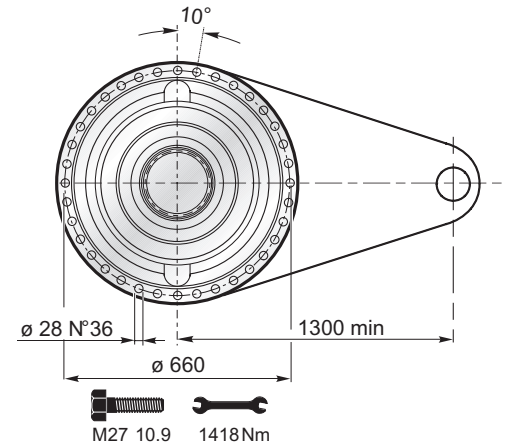
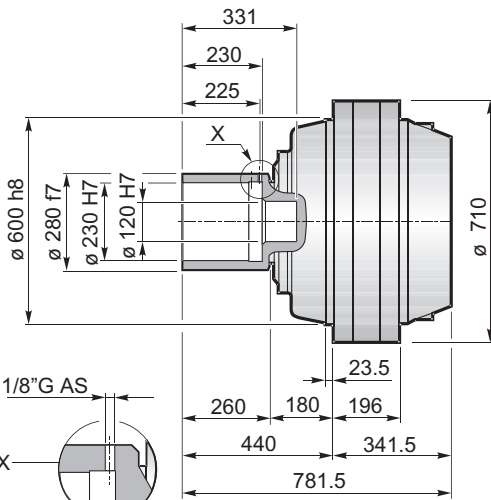
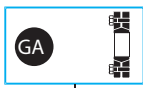
21000/2100H



F



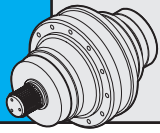
FS



$M_{max} = 407kNm$

La coppia massima indicata è valida solo con calettatori forniti da Planetary Drives
 The maximum torque indicated is valid only with shrink discs supplied by Planetary Drives
 Das dargestellte, maximale Drehmoment gilt nur mit von Planetary Drives gelieferter Schrumpfscheibe
 Le couple maximal indiqué n'est valable qu'avec les frettes de serrage fournis par Planetary Drives
 El momento máximo indicado sólo es válido con discos de contracción suministrados por Planetary Drives
 O torque máximo indicado é válido exclusivamente com discos de contração fornecidos pela Planetary Drives





21000/21000H

	PG ...MS						Vers. H					
	A	B	RA	RB	EF	EDF	A	B	RA	RB	EF	EDF
PG21001	341.5	731.5					341.5	731.5				
PG21002	562.5	952.5					607.5	997.5				
PG21003	669.5	1059.5		•			789.5	1179.5				
PG21004	741	1131	•	o	•		883.5	1273.5		•		
PG21005	802	1192	•			•	943	1333	•	o	•	

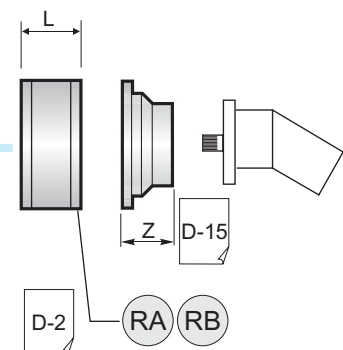
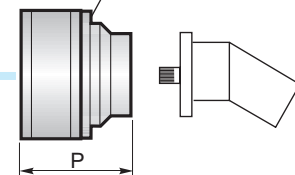
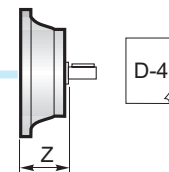
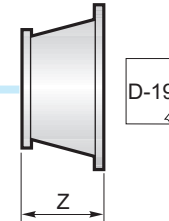
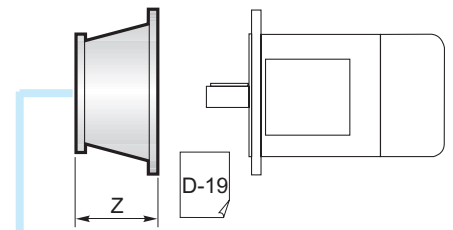
	PG ...MC						Vers. H					
	A	B	RA	RB	EF	EDF	A	B	RA	RB	EF	EDF
PG21001	341.5	821.5					341.5	821.5				
PG21002	562.5	1042.5					607.5	1087.5				
PG21003	669.5	1149.5		•			789.5	1269.5		•		
PG21004	741	1221	•	o	•		883.5	1363.5	•	o	•	
PG21005	802	1282	•			•	943	1423	•			•

	PG ...F						Vers. H					
	A	B	RA	RB	EF	EDF	A	B	RA	RB	EF	EDF
PG21001	341.5	526.5					341.5	526.5				
PG21002	562.5	747.5					607.5	792.5				
PG21003	669.5	854.5		•			789.5	974.5		•		
PG21004	741	926	•	o	•		883.5	1068.5	•	o	•	
PG21005	802	987	•			•	943	1128	•			•

	PG ...FS						Vers. H					
	A	B	RA	RB	EF	EDF	A	B	RA	RB	EF	EDF
PG21001	341.5	781.5					341.5	781.5				
PG21002	562.5	1002.5					607.5	1047.5				
PG21003	669.5	1109.5		•			789.5	1229.5		•		
PG21004	741	1181	•	o	•		883.5	1323.5	•	o	•	
PG21005	802	1242	•			•	943	1383	•			•

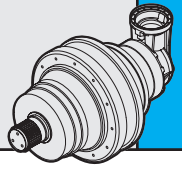


A	B	•
A+13.5	B+13.5	o



	L
RA	81
RB	125

21000/2100H



	PGA ...MS						Vers. H				
	A	B	RA	RB	EF	EDF	A	B	RA	RB	EF
PGA21003	818.5	315		•							
PGA21004	832.5	315	•	o	•		869,5	315		•	
PGA21005	917.5	240	•			•	971,5	240	•	o	•

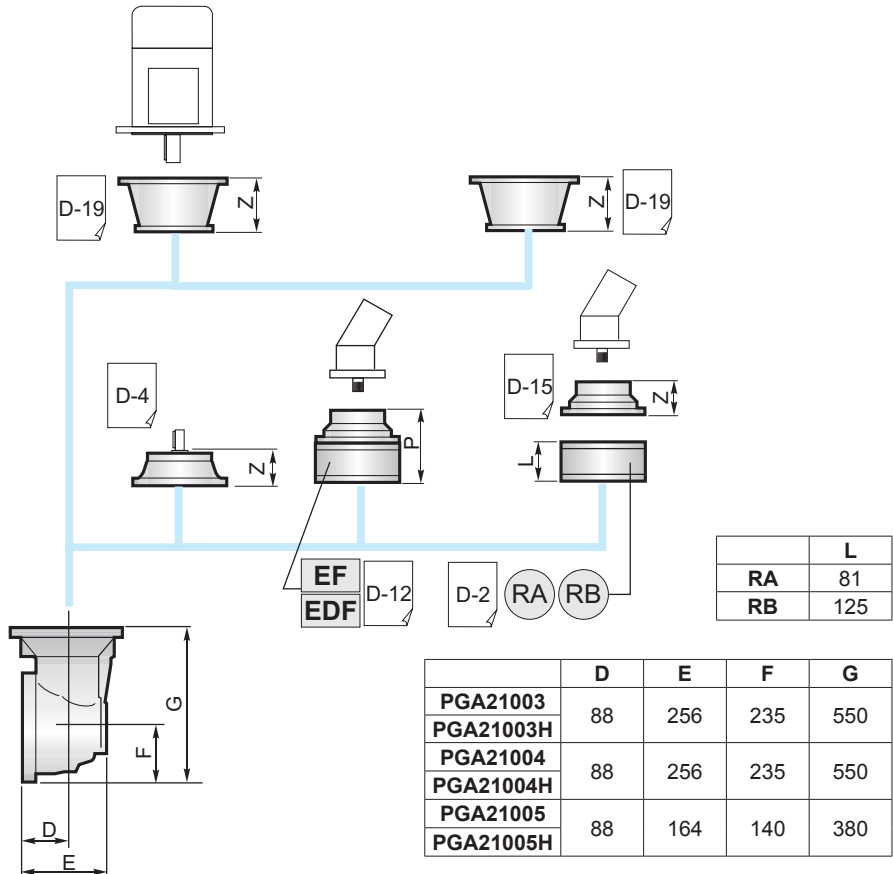
	PGA ...MC						Vers. H				
	A	B	RA	RB	EF	EDF	A	B	RA	RB	EF
PGA21003	818.5	315		•							
PGA21004	832.5	315	•	o	•		869,5	1349.5		•	
PGA21005	917.5	240	•			•	971,5	1451.5	•	o	•

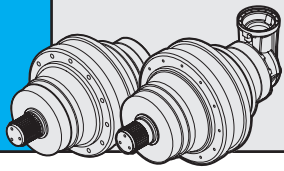
	PGA ...F						Vers. H				
	A	B	RA	RB	EF	EDF	A	B	RA	RB	EF
PGA21003	818.5	315		•							
PGA21004	832.5	315	•	o	•		869,5	315		•	
PGA21005	917.5	240	•			•	971,5	240	•	o	•

	PGA ...FS						Vers. H				
	A	B	RA	RB	EF	EDF	A	B	RA	RB	EF
PGA21003	818.5	315		•							
PGA21004	832.5	315	•	o	•		869,5	315		•	
PGA21005	917.5	240	•			•	971,5	240	•	o	•



B	•
B+16.5	o

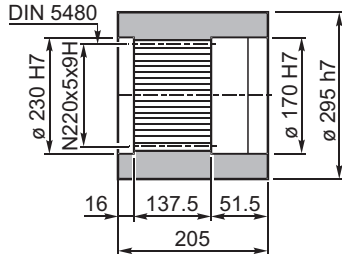




21000/2100H

BS

Boccola scanalata / Splined bushing
Innenverzahnte Buchse / Moyeu cannelé
Casquillo ranurado / Bucha estriada

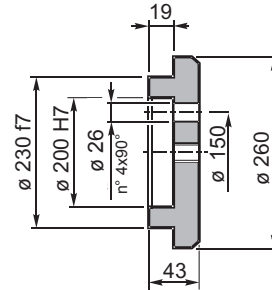


Materiale / Material
Material / Matière
Material / Material
UNI C40
SAE 1040
DIN Ck40

Codice / Code
Bestell - Nr. / Code
Código / Código

FF

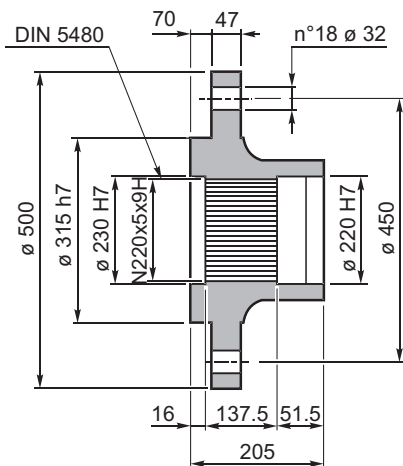
Fondello di arresto / Stop bottom plate
Endscheibe / Bouchon de fermeture
Tapón de detención / Fundo de batente



Codice / Code
Bestell - Nr. / Code
Código / Código

FL

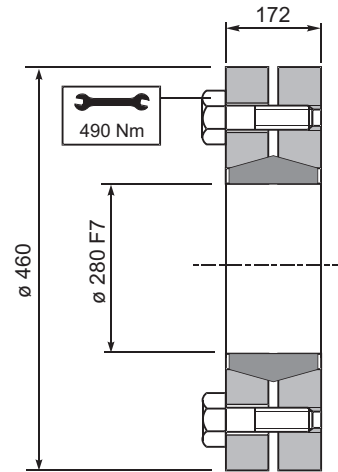
Flangia / Flange
Flansch / Bride
Brida / Flange



Codice / Code
Bestell - Nr. / Code
Código / Código

GA

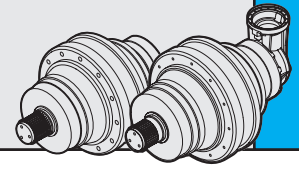
Giunto di attrito / Shrink disc
Schrumpfscheibe / Frette de serrage
Disco de contracción / Disco de contração



Coppia max.
Max. torque
Max. Drehmoment
Couple max.
Momento máx.
Torque máx.

407 kNm

Codice / Code
Bestell - Nr. / Code
Código / Código



CARICHI RADIALI (Fr)

Nei diagrammi seguenti sono riportati i carichi radiali e i coefficienti K per rapportarli al valore $n_2 \times h$ desiderato.

RADIAL LOADS (Fr)

The following curves show the radial loads and the K factors to obtain the required $n_2 \times h$ value.

RADIALLAST (Fr)

In den nachstehenden Diagrammen ist die Radiallast und der Koeffizient K dargestellt und kann mit dem gewünschten Wert $n_2 \times h$ verglichen werden.

CHARGES RADIALES (Fr)

Dans les diagrammes suivants sont indiqués les charges radiales et les facteurs K de façon à obtenir la valeur $n_2 \times h$ désirée.

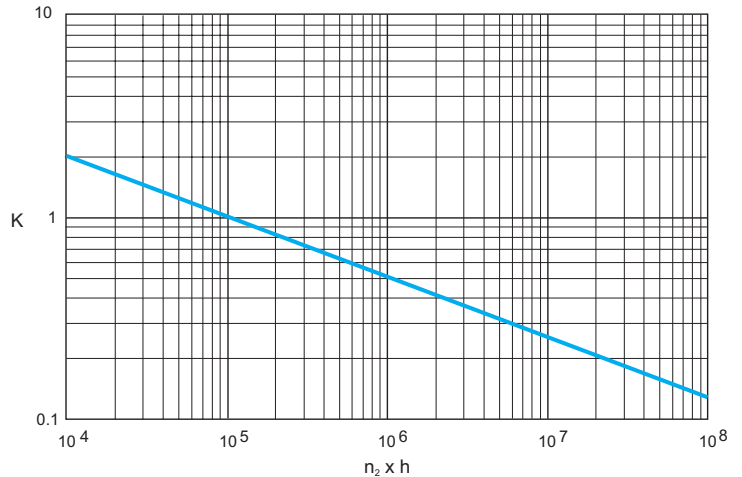
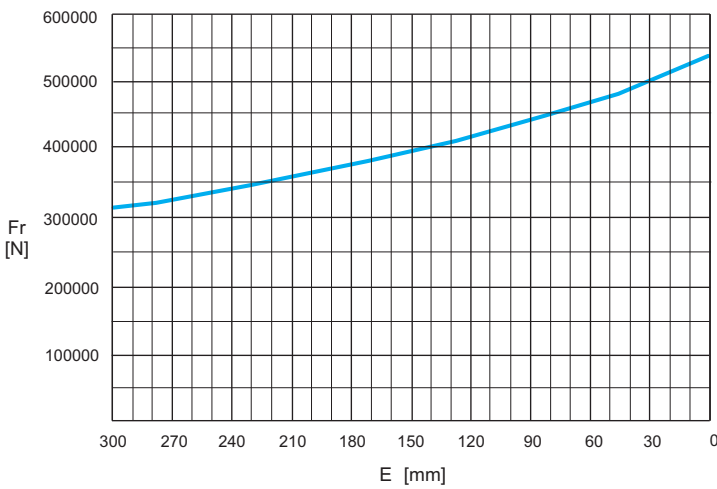
CARGAS RADIALES (Fr)

En los siguientes diagramas se indican las cargas radiales y los coeficientes K para obtener el valor requerido $n_2 \times h$.

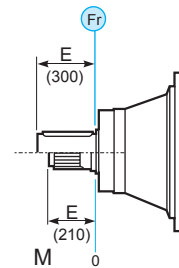
CARGAS RADIAIS (Fr)

Nos diagramas seguintes são indicadas as cargas radiais e os coeficientes K para obter o valor $n_2 \times h$ desejado.

M



	$n_2 \times h$				
	10^5	10^4	10^6	10^7	10^8
M	Fr		Fr · K		



CARICHI ASSIALI (Fa)

I valori dei carichi assiali indicati in tabella sono riferiti alle versioni e alla direzione di applicazione del carico.

AXIAL LOADS (Fa)

The values of the axial loads in the table refer to the output versions and load direction of application.

AXIALLAST (Fa)

Die dargestellten Werte der Axiallast basieren auf der Version und der applizierten Lastrichtung.

CHARGES AXIALES (Fa)

Les valeurs des charges axiales indiquées dans le tableau se réfèrent aux versions et à la direction d'application de la charge.

CARGAS AXIALES (Fa)

Los valores de las cargas axiales indicados en la tabla se refieren a las versiones y a la dirección de aplicación de la carga.

CARGAS AXIAIS (Fa)

Os valores das cargas axiais indicadas na tabela referem-se às versões e à direção de aplicação da carga.

Fa [N]	M	
	113600	←
113600	→	

