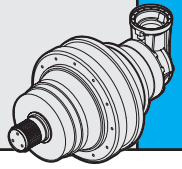


# 40000

	i	Mc [kNm]				n <sub>1max</sub> [min <sup>-1</sup> ]	Pt [kW]	Kg				
		n <sub>2</sub> x h	n <sub>2</sub> x h	n <sub>2</sub> x h	n <sub>2</sub> x h			M	P	CPC	F	FS
		10.000	20.000	50.000	100.000							
<b>PG 40001</b>	3.43	426.9	384.4	334.7	301.4	200	224	2030	-	-	1880	1988
	4.09	502.7	452.7	394.1	336.8							
	5.25	376.4	338.9	295.0	276.5							
<b>PG 40002</b>	14.03	426.9	384.4	334.7	301.4	750	130	2400	-	-	2250	2358
	16.73	502.7	452.7	394.1	336.8							
	18.01	372.5	335.4	292.0	273.7							
	21.47	432.8	389.7	339.3	318.0							
	27.56	376.4	338.9	295.0	276.5							
	32.71	376.4	338.9	295.0	276.5							
<b>PG 40003</b>	56.11	351.3	310.9	264.6	234.2	1500	75	2512	-	-	2362	2470
	66.91	406.1	359.5	305.9	270.8							
	72.03	372.5	335.4	292.0	273.7							
	85.89	376.4	338.9	295.0	276.5							
	110.25	376.4	338.9	295.0	276.5							
	129.71	376.4	338.9	295.0	276.5							
	153.92	291.2	262.2	228.3	218.2							
	182.65	291.2	262.2	228.3	218.2							
<b>PG 40004</b>	237.91	402.0	355.7	302.7	268.0	2800	68	2547	-	-	2397	2505
	256.11	372.5	335.4	292.0	273.7							
	305.39	376.4	338.9	295.0	276.5							
	392.00	376.4	338.9	295.0	276.5							
	433.06	376.4	338.9	295.0	276.5							
	472.50	376.4	338.9	295.0	276.5							
	555.88	376.4	338.9	295.0	276.5							
	617.40	376.4	338.9	295.0	270.3							
	726.35	376.4	338.9	295.0	276.5							
	744.19	309.5	273.9	233.0	206.2							
	875.51	353.8	313.1	266.4	235.7							
	1038.94	291.2	262.2	228.3	218.2							
	<b>PG 40005</b>	1153.68	376.4	338.9	295.0							
1259.72		376.4	338.9	295.0	276.5							
1390.60		376.4	338.9	295.0	276.5							
1518.41		376.4	338.9	295.0	276.5							
1577.83		376.4	338.9	295.0	276.5							
1679.37		346.1	306.4	260.7	230.7							
1742.22		376.4	338.9	295.0	276.5							
1832.32		373.0	330.4	281.0	249.3							
1949.06		376.4	338.9	295.0	276.5							
2025.33		376.4	338.9	295.0	276.5							
2100.00		376.4	338.9	295.0	276.5							
2293.01		376.4	338.9	295.0	276.5							
2382.75		376.4	338.9	295.0	276.5							
2546.78		376.4	338.9	295.0	270.3							
2668.73		340.4	301.2	256.2	227.3							
2767.06		376.4	338.9	295.0	276.5							
2872.06		376.4	338.9	295.0	276.5							
3611.50		353.8	313.1	266.4	235.7							
4476.15		376.4	338.9	295.0	270.3							
5253.09		353.8	313.1	266.4	235.7							
6347.48		353.8	313.1	266.4	235.7							
8938.38	291.2	262.2	228.3	218.2								

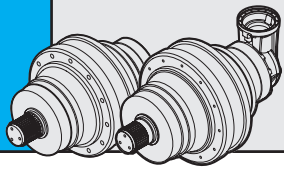
# 40000



	i	Mc [kNm]				n <sub>1max</sub> [min <sup>-1</sup> ]	Pt [kW]	Kg				
		n <sub>2</sub> x h	n <sub>2</sub> x h	n <sub>2</sub> x h	n <sub>2</sub> x h			M	P	CPC	F	FS
		10.000	20.000	50.000	100.000							
<b>PGA 40005</b>	925.43	367.8	325.5	277.0	245.2	2500	52	2663	-	-	2513	2621
	1103.50	376.4	338.9	295.0	276.5							
	1204.00	376.4	338.9	295.0	276.5							
	1330.11	376.4	338.9	295.0	276.5							
	1451.25	376.4	338.9	295.0	276.5							
	1574.41	346.1	306.4	260.7	230.7							
	1676.63	376.4	338.9	295.0	276.5							
	1738.01	376.4	333.8	283.9	251.6							
	1829.33	376.4	338.9	295.0	276.5							
	1896.30	376.4	338.9	295.0	270.3							
	2020.94	376.4	338.9	295.0	276.5							
	2152.16	376.4	338.9	295.0	276.5							
	2230.94	376.4	338.9	295.0	276.5							
	2485.97	291.2	262.2	228.3	218.2							
	2594.12	376.4	338.9	295.0	276.5							
	2881.20	376.4	338.9	295.0	270.3							
	3389.65	376.4	338.9	295.0	276.5							
	4085.74	353.8	313.1	266.4	235.7							
	5753.44	291.2	262.2	228.3	218.2							
	6279.06	290.2	257.0	218.6	193.5							

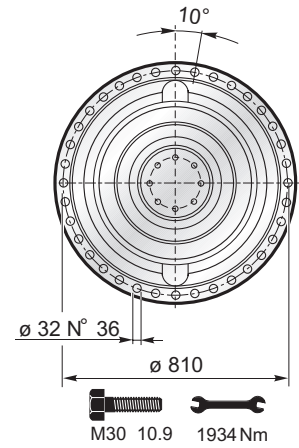
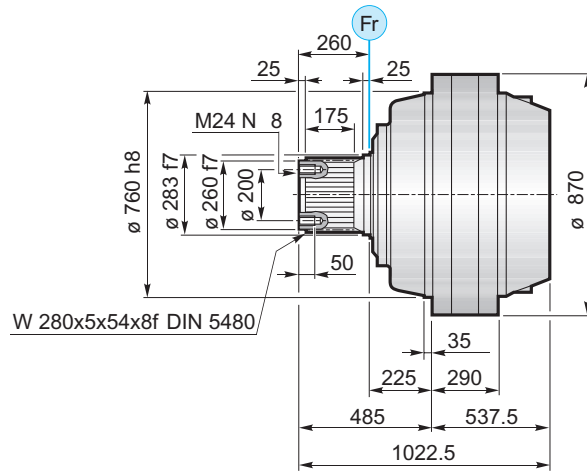
(n<sub>2</sub> x h = 20.000)

$$M_{\max} = M_c \times 1.5$$

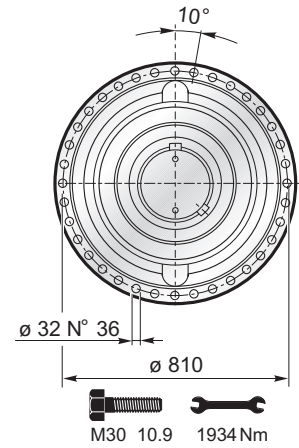
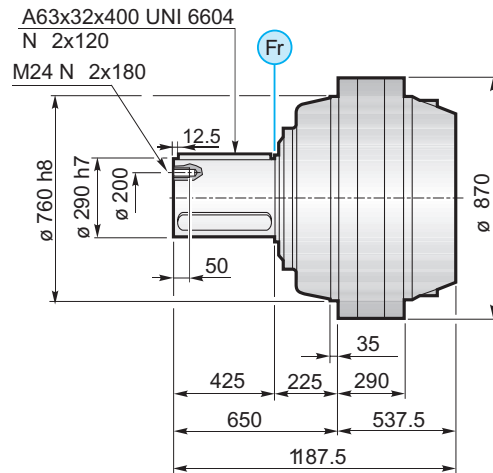


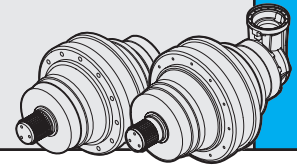
# 40000

MS

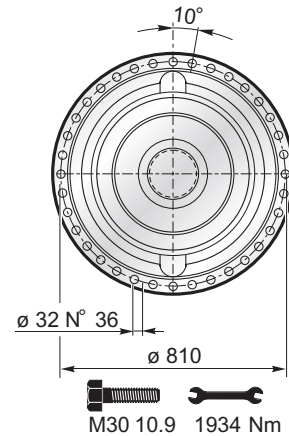
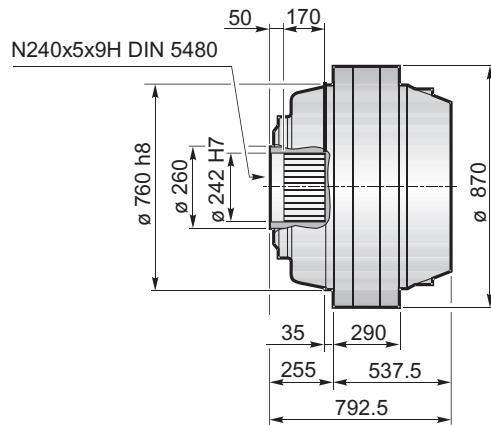


MC

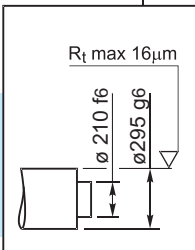
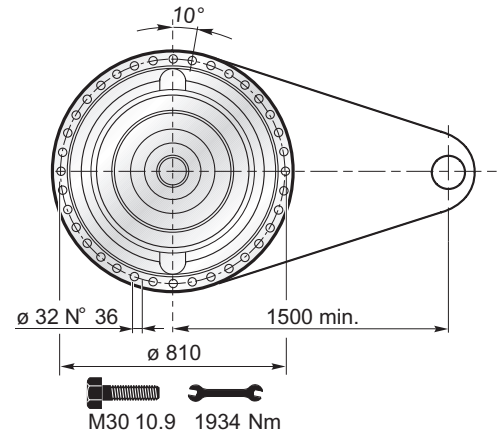
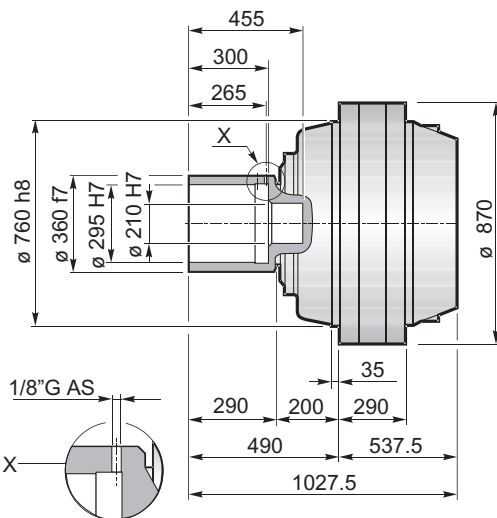




F



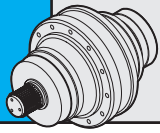
FS



$M_{\max} = 753 \text{ kNm}$

La coppia massima indicata è valida solo con calettatori forniti da Planetary Drives  
 The maximum torque indicated is valid only with shrink discs supplied by Planetary Drives  
 Das dargestellte, maximale Drehmoment gilt nur mit von Planetary Drives gelieferter Schrumpfscheibe  
 Le couple maximal indiqué n'est valable qu'avec les frettes de serrage fournis par Planetary Drives  
 El momento máximo indicado sólo es válido con discos de contracción suministrados por Planetary Drives  
 O torque máximo indicado é válido exclusivamente com discos de contração fornecidos pela Planetary Drives





# 40000

PG	...MS					
	A	B	RA	RB	EF	EDF
PG40001	537.5	1022.5				
PG40002	806	1291				
PG40003	1003	1488				
PG40004	1090	1575		•		
PG40005	1161.5	1646.5	•	o	•	

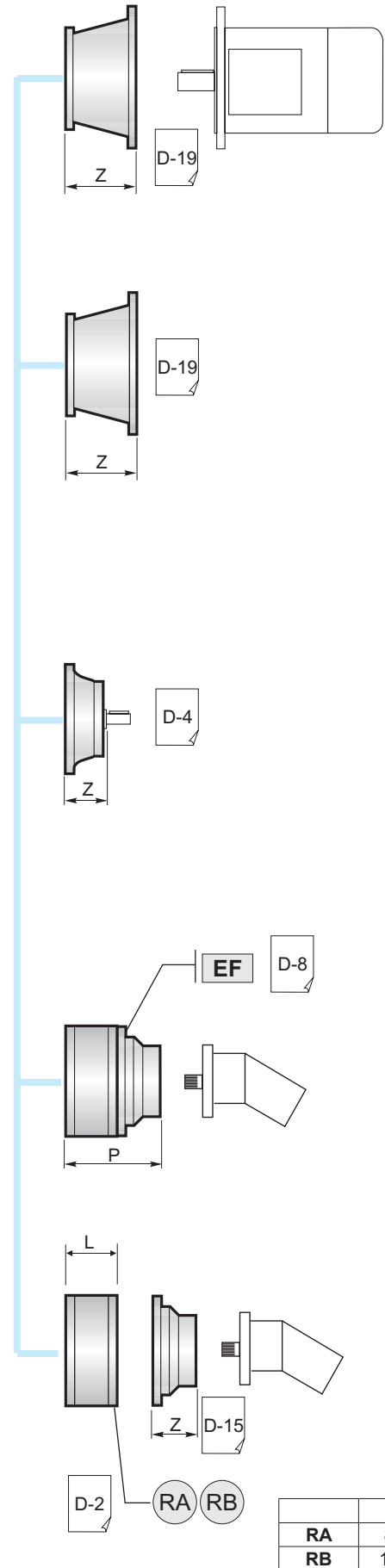
PG	...MS					
	A	B	RA	RB	EF	EDF
PG40001	537.5	1187.5				
PG40002	806	1456				
PG40003	1003	1653				
PG40004	1090	1740		•		
PG40005	1161.5	1811.5	•	o	•	

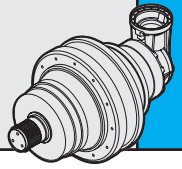
PG	...MS					
	A	B	RA	RB	EF	EDF
PG40001	537.5	792.5				
PG40002	806	1061				
PG40003	1003	1258				
PG40004	1090	1345		•		
PG40005	1161.5	1416.5	•	o	•	

PG	...MS					
	A	B	RA	RB	EF	EDF
PG40001	537.5	1027.5				
PG40002	806	1296				
PG40003	1003	1493				
PG40004	1090	1580		•		
PG40005	1161.5	1651.5	•	o	•	



A	B	•
A+13.5	B+13.5	o





		PGA ...MS					
	A	B	RA	RB	EF	EDF	
PGA40005	1178	240	•	o	•		

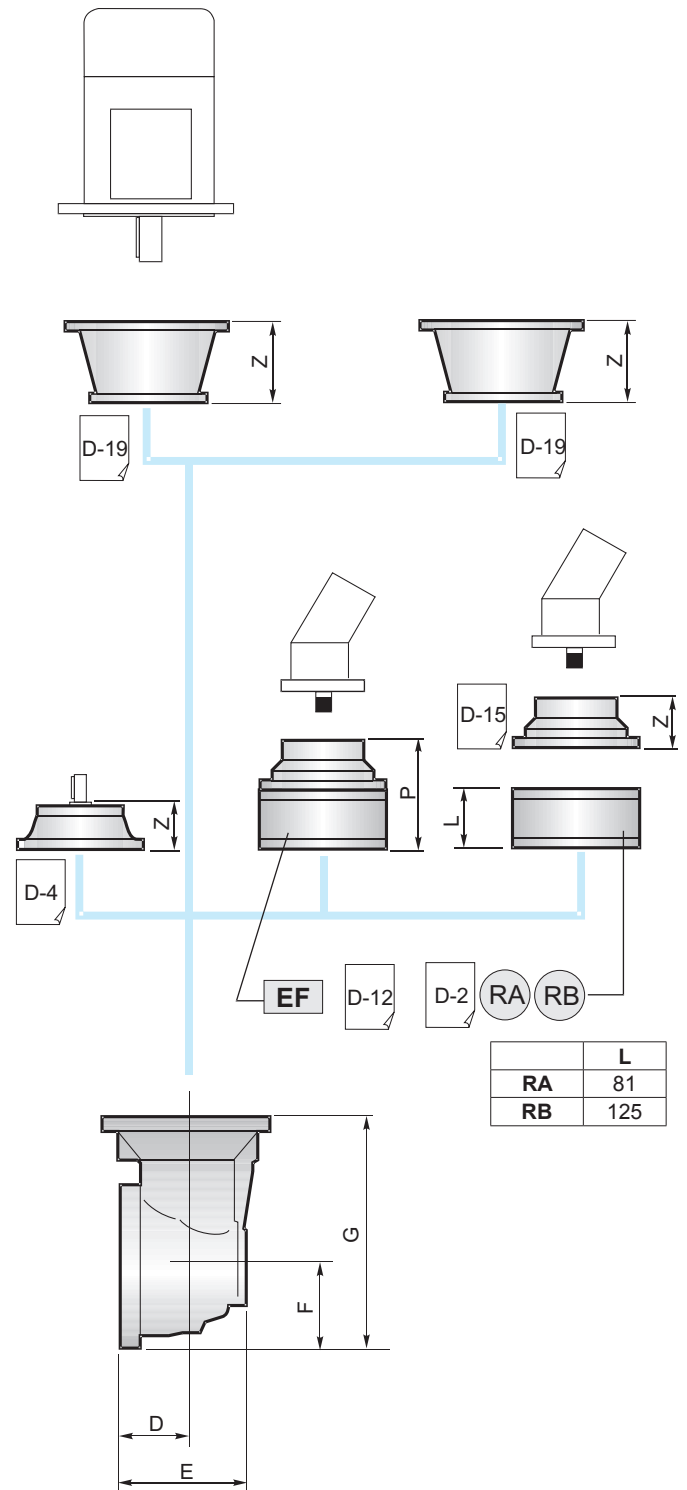
		PGA ...MC					
	A	B	RA	RB	EF	EDF	
PGA40005	1178	240	•	o	•		

		PGA ...F					
	A	B	RA	RB	EF	EDF	
PGA40005	1178	240	•	o	•		

		PGA ...FS					
	A	B	RA	RB	EF	EDF	
PGA40005	1178	240	•	o	•		

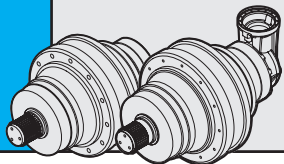


B	•
B+16.5	o



	L
RA	81
RB	125

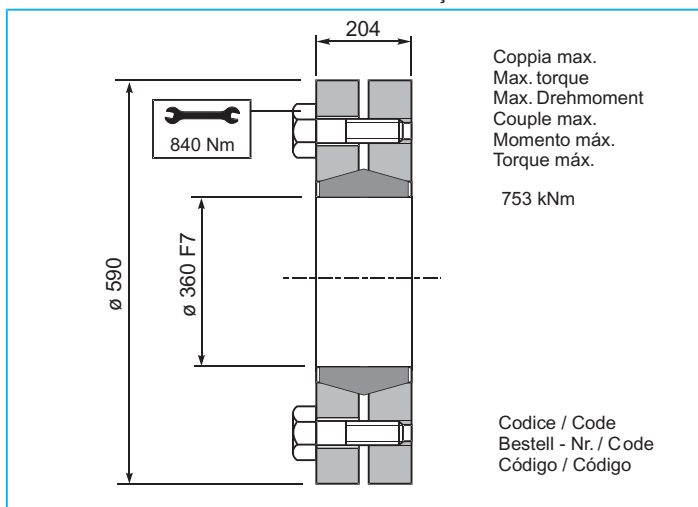
	D	E	F	G
PGA40005	88	256	235	550

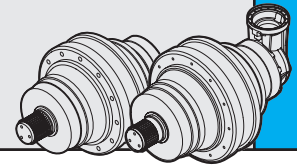


# 40000

**GA**

Giunto di attrito / Shrink disc  
Schrumpfscheibe / Frette de serrage  
Disco de contracción / Disco de contração





## CARICHI RADIALI (Fr)

Nei diagrammi seguenti sono riportati i carichi radiali e i coefficienti K per rapportarli al valore  $n_2 \times h$  desiderato.

### RADIAL LOADS (Fr)

The following curves show the radial loads and the K factors to obtain the required  $n_2 \times h$  value.

### RADIALLAST (Fr)

In den nachstehenden Diagrammen ist die Radiallast und der Koeffizient K dargestellt und kann mit dem gewünschten Wert  $n_2 \times h$  verglichen werden.

## CHARGES RADIALES (Fr)

Dans les diagrammes suivants sont indiqués les charges radiales et les facteurs K de façon à obtenir la valeur  $n_2 \times h$  désirée.

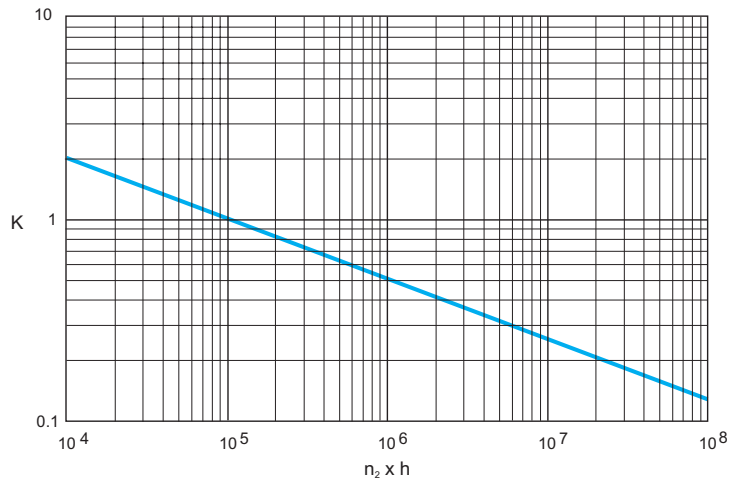
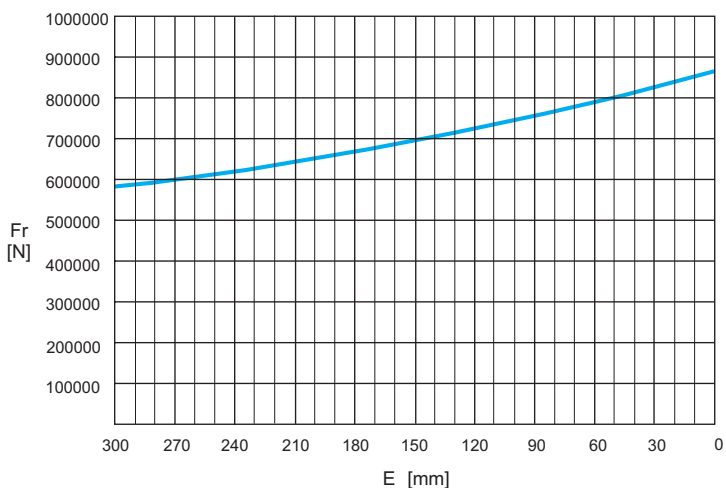
### CARGAS RADIALES (Fr)

En los siguientes diagramas se indican las cargas radiales y los coeficientes K para obtener el valor requerido  $n_2 \times h$ .

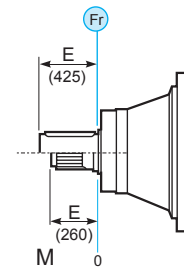
### CARGAS RADIAIS (Fr)

Nos diagramas seguintes são indicadas as cargas radiais e os coeficientes K para obter o valor  $n_2 \times h$  desejado.

## M



	$n_2 \times h$				
	$10^5$	$10^4$	$10^6$	$10^7$	$10^8$
M	Fr		Fr • K		



## CARICHI ASSIALI (Fa)

I valori dei carichi assiali indicati in tabella sono riferiti alle versioni e alla direzione di applicazione del carico.

### AXIAL LOADS (Fa)

The values of the axial loads in the table refer to the output versions and load direction of application.

### AXIALLAST (Fa)

Die dargestellten Werte der Axiallast basieren auf der Version und der applizierten Lastrichtung.

## CHARGES AXIALES (Fa)

Les valeurs des charges axiales indiquées dans le tableau se réfèrent aux versions et à la direction d'application de la charge.

### CARGAS AXIALES (Fa)

Los valores de las cargas axiales indicados en la tabla se refieren a las versiones y a la dirección de aplicación de la carga.

### CARGAS AXIAIS (Fa)

Os valores das cargas axiais indicadas na tabela referem-se às versões e à direção de aplicação da carga.

Fa [N]	M	
		240000
	160500	→

