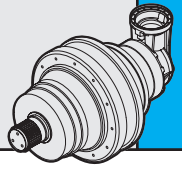


# 5000

	i	Mc [kNm]				n <sub>1max</sub> [min <sup>-1</sup> ]	Pt [kW]	Kg				
		n <sub>2</sub> x h	n <sub>2</sub> x h	n <sub>2</sub> x h	n <sub>2</sub> x h			M	P	CPC	F	FS
		10.000	20.000	50.000	100.000							
<b>PG 5001</b>	3.95	68.69	60.80	51.74	45.80	1200	60	314	-	418	256	269
	5.06	50.28	44.50	37.87	33.52							
	6.00	40.11	35.50	30.21	26.74							
<b>PG 5002</b>	14.06	61.30	54.25	46.15	40.85	2000	38	373	-	477	315	328
	16.95	53.41	47.27	40.22	35.62							
	21.70	50.28	44.50	37.87	33.52							
	25.71	40.11	35.50	30.21	26.74							
	28.35	50.07	44.32	37.71	33.39							
	33.60	40.11	35.50	30.21	26.74							
	33.60	40.11	35.50	30.21	26.74							
	40.50	40.11	35.50	30.21	26.74							
<b>PG 5003</b>	53.12	47.97	42.49	36.17	32.01	2800	25	389	-	493	331	344
	64.03	53.41	47.27	40.22	35.62							
	74.25	50.28	44.50	37.87	33.52							
	81.96	50.28	44.50	37.87	33.52							
	89.50	50.28	44.50	37.87	33.52							
	107.10	50.07	44.32	37.71	33.39							
	116.94	50.07	44.32	37.71	33.39							
	130.18	44.82	39.71	33.76	29.96							
	146.48	50.07	44.32	37.71	33.39							
	154.29	40.11	35.50	30.21	26.74							
	170.10	50.07	44.32	37.71	33.39							
	205.54	43.72	38.68	32.90	29.20							
	243.60	40.11	35.50	30.21	26.74							
	293.63	40.11	35.50	30.21	26.74							
<b>PG 5004</b>	318.21	50.28	44.50	37.87	33.52	2800	20	397	-	501	339	352
	351.28	50.28	44.50	37.87	33.52							
	383.56	50.28	44.50	37.87	33.52							
	415.80	50.07	44.32	37.71	33.39							
	459.00	50.07	44.32	37.71	33.39							
	520.80	50.07	44.32	37.71	33.39							
	557.91	44.82	39.71	33.76	29.96							
	599.76	50.07	44.32	37.71	33.39							
	627.75	50.28	44.50	37.87	33.52							
	722.93	48.50	42.92	36.48	32.19							
	789.37	50.07	44.32	37.71	33.39							
	878.71	44.82	39.71	33.76	29.96							
	952.56	50.07	44.32	37.71	33.39							
	1044.00	40.11	35.50	30.21	26.74							
	1148.18	50.07	44.32	37.71	33.39							
	1258.39	40.11	35.50	30.21	26.74							
	1387.38	43.72	38.68	32.90	29.20							
	1644.30	40.11	35.50	30.21	26.74							
	1981.97	40.11	35.50	30.21	26.74							

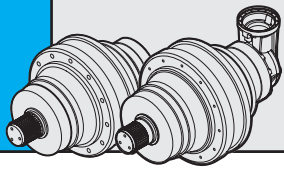


	i	Mc [kNm]				n <sub>1max</sub> [min <sup>-1</sup> ]	Pt [kW]	Kg				
		n <sub>2</sub> x h	n <sub>2</sub> x h	n <sub>2</sub> x h	n <sub>2</sub> x h			M	P	CPC	F	FS
		10.000	20.000	50.000	100.000							
<b>PGA 5002</b>	12.15	27.34	24.35	18.51	15.04	2000	38	364	-	468	306	319
	15.55	34.34	28.95	22.00	17.87							
	18.43	40.11	32.60	24.78	20.13							
	23.63	21.94	20.64	19.05	16.27							
	28.00	25.61	24.10	22.24	18.33							
<b>PGA 5003</b>	62.18	26.28	23.93	19.16	15.56	2800	25	410	-	514	293	306
	76.50	31.44	28.63	22.15	17.99							
	97.94	38.93	34.65	26.33	21.39							
	118.05	38.08	33.69	28.67	24.38							
	139.91	40.11	35.50	30.21	26.74							
	220.50	25.89	24.15	22.03	20.55							
<b>PGA 5004</b>	241.51	51.01	45.19	38.50	34.04	2800	20	429	-	533	371	384
	289.01	40.85	36.16	30.77	27.25							
	309.17	50.28	44.50	37.87	33.52							
	366.43	40.11	35.50	30.21	26.74							
	395.26	40.85	36.16	30.77	27.25							
	459.01	40.85	36.16	30.77	27.25							
	497.35	40.85	36.16	30.77	27.25							
	554.64	35.67	31.56	26.84	23.82							
	587.62	50.07	44.32	37.71	33.39							
	636.69	50.07	44.32	37.71	33.39							
	708.75	44.82	39.71	33.76	29.96							
	797.48	50.07	44.32	37.71	33.39							
	855.85	38.08	33.69	28.67	25.39							
	945.16	40.11	35.50	30.21	26.74							
	1139.25	40.11	35.50	30.21	26.74							
	1326.27	40.11	35.50	30.21	26.74							



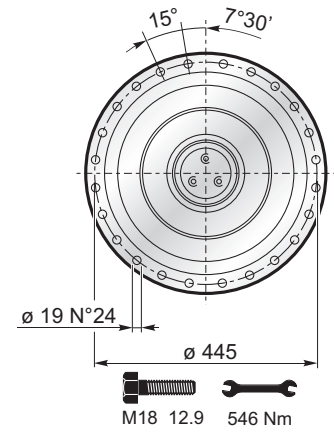
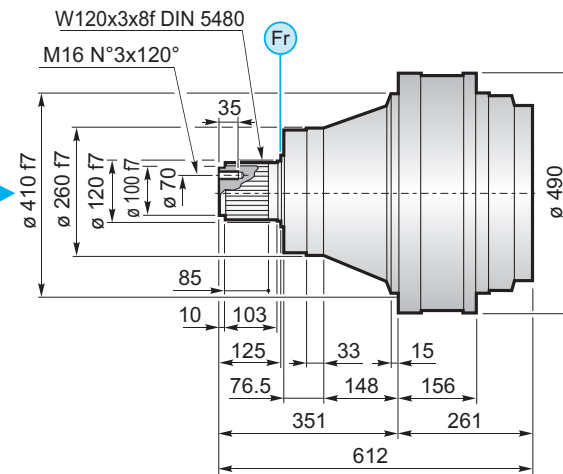
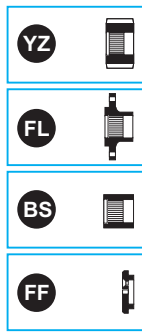
(n<sub>2</sub> x h = 20.000)

$$M_{max} = M_c \times 2$$

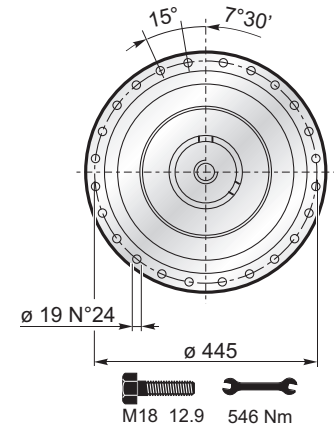
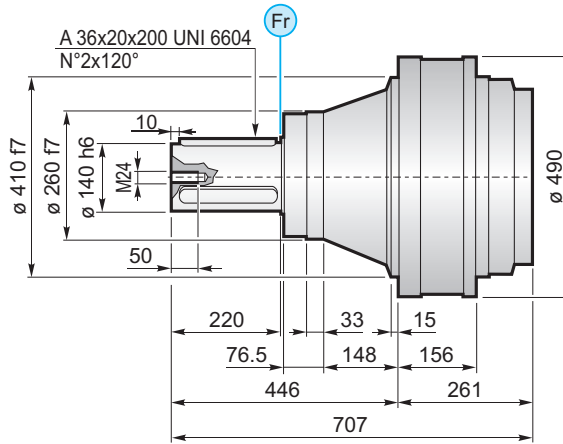


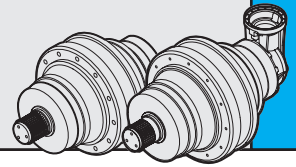
# 5000

## MS

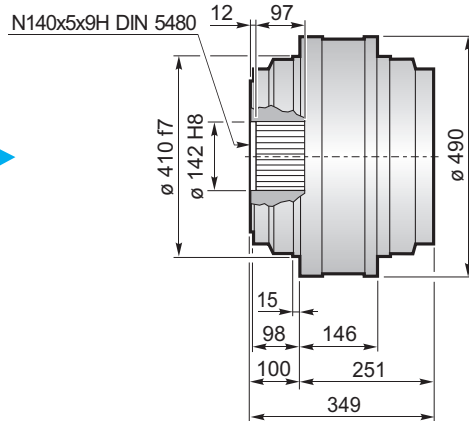
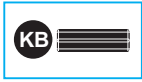


## MC

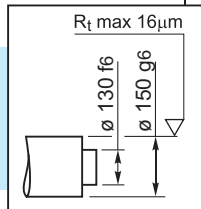
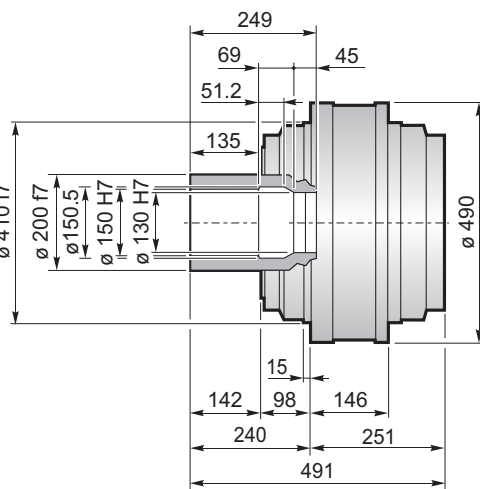




## F



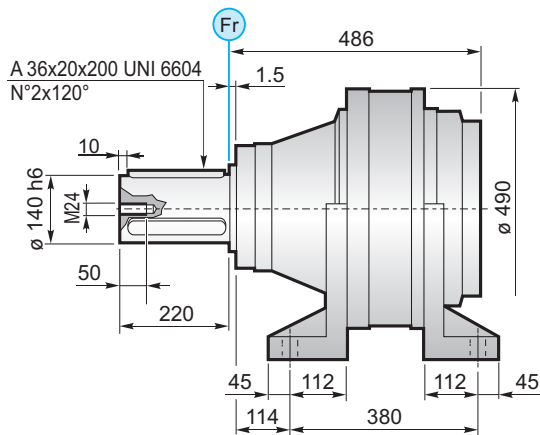
## FS



$M_{\text{max}} = 92.5\text{ kNm}$

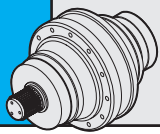
La coppia massima indicata è valida solo con calettatori forniti da Planetary Drives  
 The maximum torque indicated is valid only with shrink discs supplied by Planetary Drives  
 Das dargestellte, maximale Drehmoment gilt nur mit von Planetary Drives gelieferter Schrumpfscheibe  
 Le couple maximal indiqué n'est valable qu'avec les frettes de serrage fournis par Planetary Drives  
 El momento máximo indicado sólo es válido con discos de contracción suministrados por Planetary Drives  
 O torque máximo indicado é válido exclusivamente com discos de contração fornecidos pela Planetary Drives

## CPC



M30 12.9 2845 Nm

FL YZ BS FF KB GA → B-116



# 5000

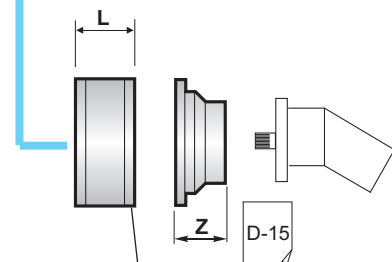
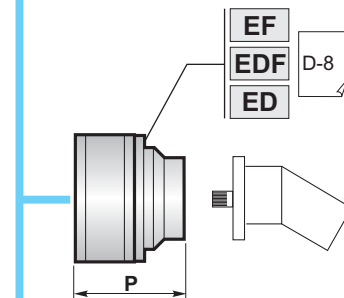
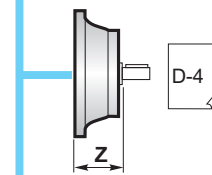
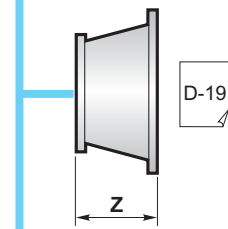
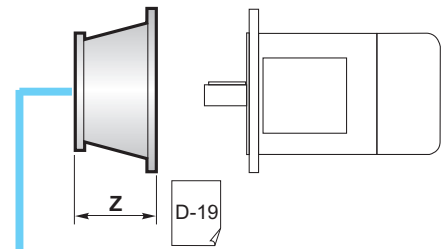
	PG ...MS					
	A	B	RA	RB	EF	EDF
PG 5001	261	612				
PG 5002	368	719		•		
PG 5003	439.5	790.5	•	o	•	
PG 5004	500.5	851.5	•			•

	PG ...MC					
	A	B	RA	RB	EF	EDF
PG 5001	261	707				
PG 5002	368	814		•		
PG 5003	439.5	885.5	•	o	•	
PG 5004	500.5	946.5	•			•

	PG ...F					
	A	B	RA	RB	EF	EDF
PG 5001	251	349				
PG 5002	358	456		•		
PG 5003	429.5	527.5	•	o	•	
PG 5004	490.5	588.5	•			•

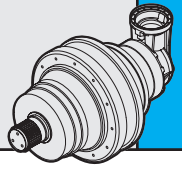
	PG ...FS					
	A	B	RA	RB	EF	EDF
PG 5001	251	491				
PG 5002	358	598		•		
PG 5003	429.5	669.5	•	o	•	
PG 5004	490.5	730.5	•			•

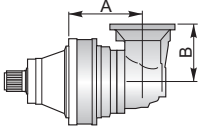
	PG ...CPC					
	A	B	RA	RB	EF	EDF
PG 5001	486	706				
PG 5002	593	813		•		
PG 5003	664.5	884.5	•	o	•	
PG 5004	725.5	945.5	•			•

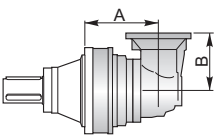


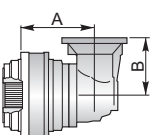
	RA	RB	L
			81
			125

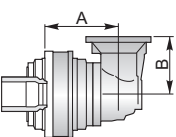
!	A+13.5	B+13.5	o
---	--------	--------	---

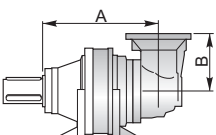


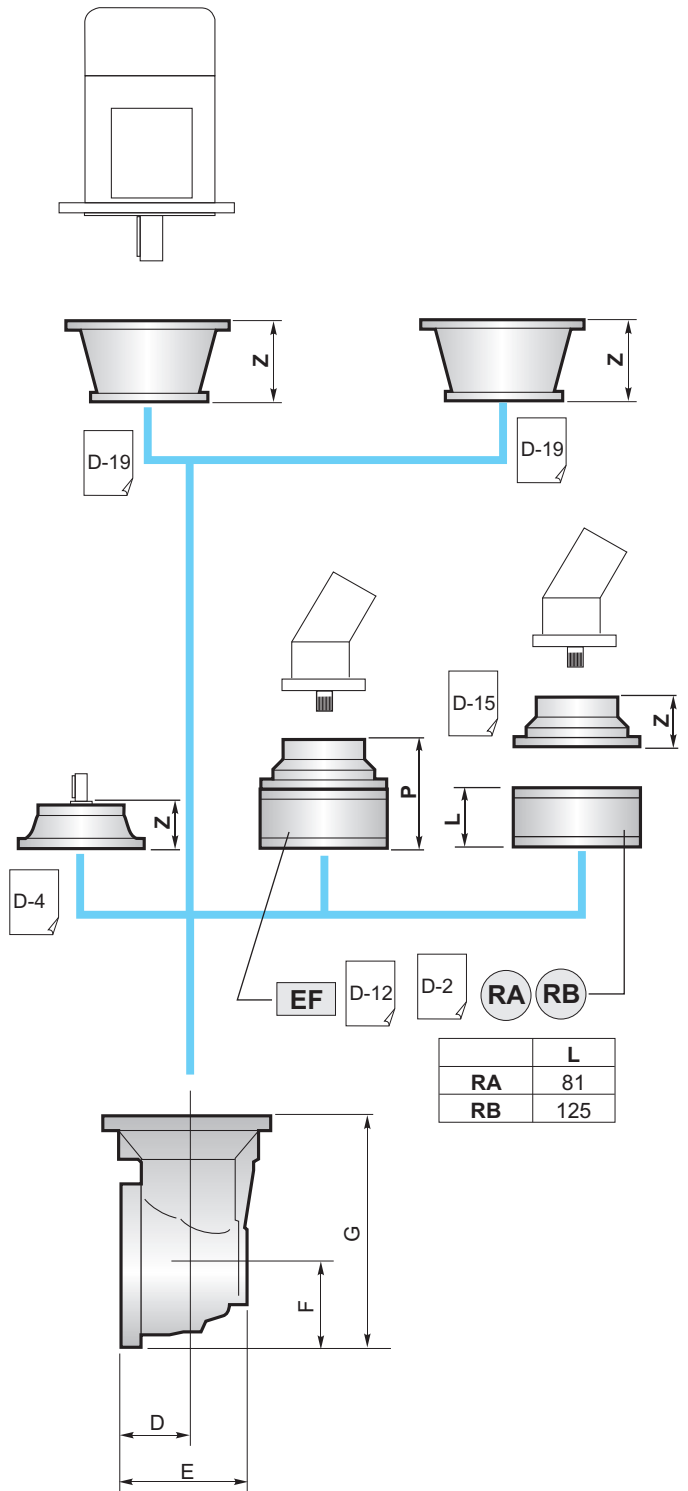
	PGA ...MS				
	A	B	RA	RB	EF
PGA 5002	442	315		•	
PGA 5003	456	240	•	o	•
PGA 5004	541	240	•		•

	PGA ...MC				
	A	B	RA	RB	EF
PGA 5002	442	315		•	
PGA 5003	456	240	•	o	•
PGA 5004	541	240	•		•

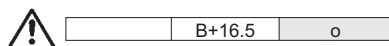
	PGA ...F				
	A	B	RA	RB	EF
PGA 5002	432	315		•	
PGA 5003	446	240	•	o	•
PGA 5004	531	240	•		•

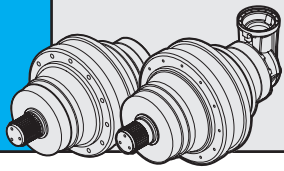
	PGA ...FS				
	A	B	RA	RB	EF
PGA 5002	432	315		•	
PGA 5003	446	240	•	o	•
PGA 5004	531	240	•		•

	PGA ...CPC				
	A	B	RA	RB	EF
PGA 5002	667	315		•	
PGA 5003	681	240	•	o	•
PGA 5004	766	240	•		•



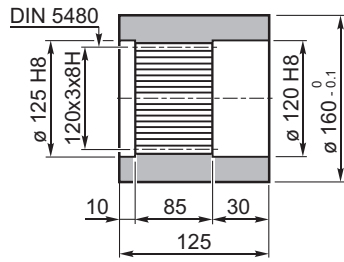
	D	E	F	G
PGA 5002	88	256	235	550
PGA 5003	88	164	140	380
PGA 5004	88	164	140	380





# 5000

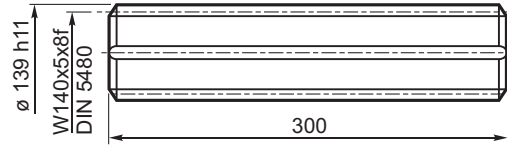
**BS** Boccola scanalata / Splined bushing  
Innenverzähnte Buchse / Moyeu cannelé  
Casquillo ranurado / Bucha estriada



Materiale / Material  
Material / Matière  
Material / Material  
UNI C40  
SAE 1040  
DIN Ck40

Codice / Code  
Bestell - Nr. / Code  
Código / Código  
**1719.104.076**

**KB** Barra scanalata / Splined rod  
Außenverzähnte Welle / Arbre cannelé  
Barra ranurada / Barra estriada

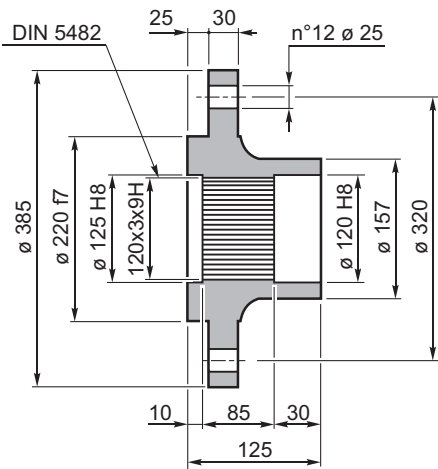


Materiale / Material  
Material / Matière  
Material / Material

UNI 16CrNi4  
bonificato / hardened and tempered  
vergütet / bonifié  
bonificado / endurecido e temperado

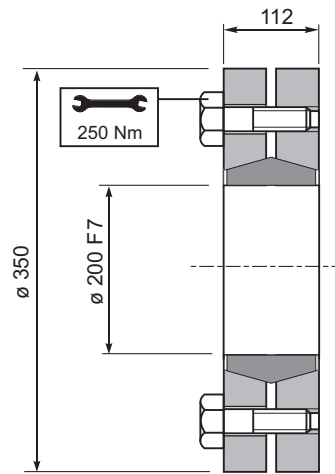
Codice / Code  
Bestell - Nr. / Code  
Código / Código  
**1703.564.042**

**FL** Flangia / Flange  
Flansch / Bride  
Brida / Flange



Codice / Code  
Bestell - Nr. / Code  
Código / Código  
**1719.103.098**

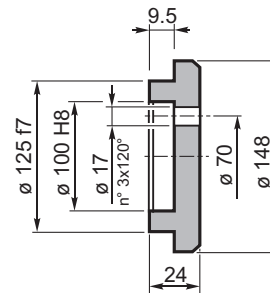
**GA** Giunto di attrito / Shrink disc  
Schrumpfscheibe / Frette de serrage  
Disco de contracción / Disco de contração



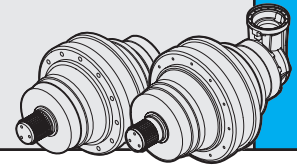
Coppia max.  
Max. torque  
Max. Drehmoment  
Couple max.  
Momento máx.  
Torque máx.  
  
92,5 kNm

Codice / Code  
Bestell - Nr. / Code  
Código / Código  
**9015.200.000**

**FF** Fondello di arresto / Stop bottom plate  
Endscheibe / Bouchon de fermeture  
Tapón de detención / Fundo de batente



Codice / Code  
Bestell - Nr. / Code  
Código / Código  
**5701.005.000**



## CARICHI RADIALI (Fr)

Nei diagrammi seguenti sono riportati i carichi radiali e i coefficienti K per rapportarli al valore  $n_2 \times h$  desiderato.

## RADIAL LOADS (Fr)

The following curves show the radial loads and the K factors to obtain the required  $n_2 \times h$  value.

## RADIALLAST (Fr)

In den nachstehenden Diagrammen ist die Radiallast und der Koeffizient K dargestellt und kann mit dem gewünschten Wert  $n_2 \times h$  verglichen werden.

## CHARGES RADIALES (Fr)

Dans les diagrammes suivants sont indiqués les charges radiales et les facteurs K de façon à obtenir la valeur  $n_2 \times h$  désirée.

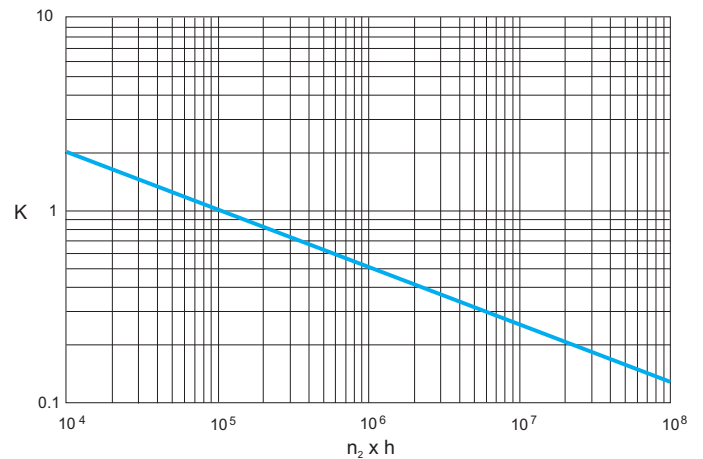
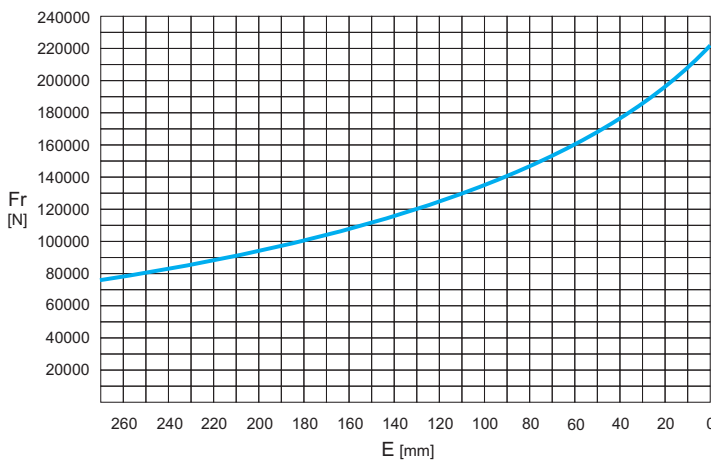
## CARGAS RADIALES (Fr)

En los siguientes diagramas se indican las cargas radiales y los coeficientes K para obtener el valor requerido  $n_2 \times h$ .

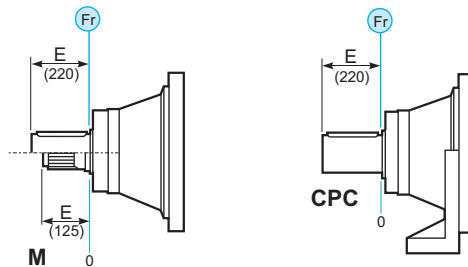
## CARGAS RADIAIS (Fr)

Nos diagramas seguintes são indicadas as cargas radiais e os coeficientes K para obter o valor  $n_2 \times h$  desejado.

### M - CPC\*



	n x h				
	10 <sup>5</sup>	10 <sup>4</sup>	10 <sup>6</sup>	10 <sup>7</sup>	10 <sup>8</sup>
M	Fr			Fr • K	
*CPC	Fr • 0.75		Fr • K • 0.75		



## CARICHI ASSIALI (Fa)

I valori dei carichi assiali indicati in tabella sono riferiti alle versioni e alla direzione di applicazione del carico.

## AXIAL LOADS (Fa)

The values of the axial loads in the table refer to the output versions and load direction of application.

## AXIALLAST (Fa)

Die dargestellten Werte der Axiallast basieren auf der Version und der applizierten Lastrichtung.

## CHARGES AXIALES (Fa)

Les valeurs des charges axiales indiquées dans le tableau se réfèrent aux versions et à la direction d'application de la charge.

## CARGAS AXIALES (Fa)

Los valores de las cargas axiales indicados en la tabla se refieren a las versiones y a la dirección de aplicación de la carga.

## CARGAS AXIAIS (Fa)

Os valores das cargas axiais indicadas na tabela referem-se às versões e à direção de aplicação da carga.

Fa [N]	M	CPC	
	80000	80000	←
120000	120000	→	

